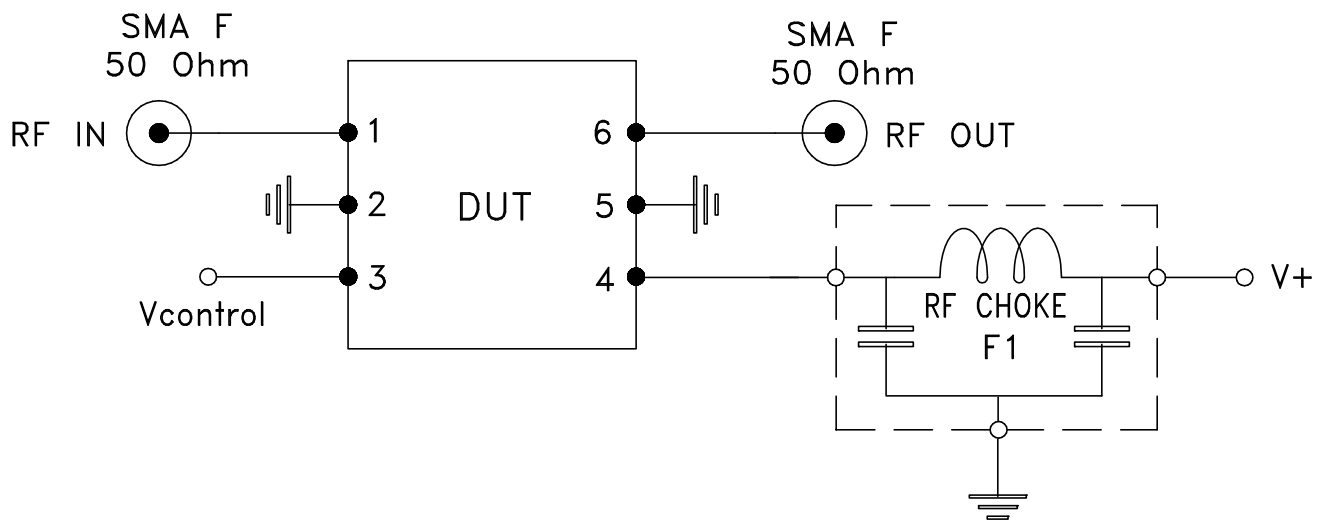
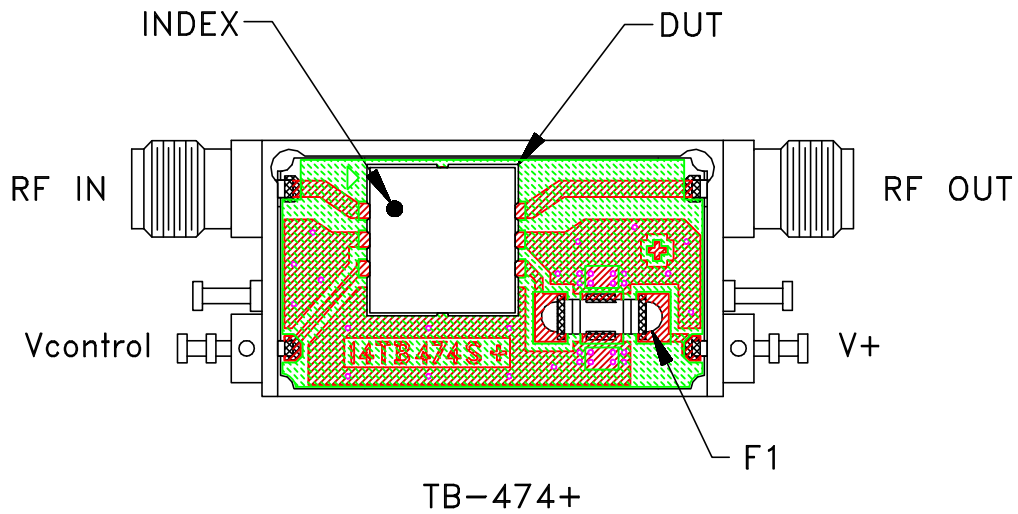



# Evaluation Board and Circuit



Schematic Diagram

## Notes:

1. SMA Female connectors.
2. PCB Material: FR4 GRADE IT-180TC (ITEQ CORPORATION)  
Dielectric Constant=4.5, Thickness=.025 inch.

 **Mini-Circuits®**