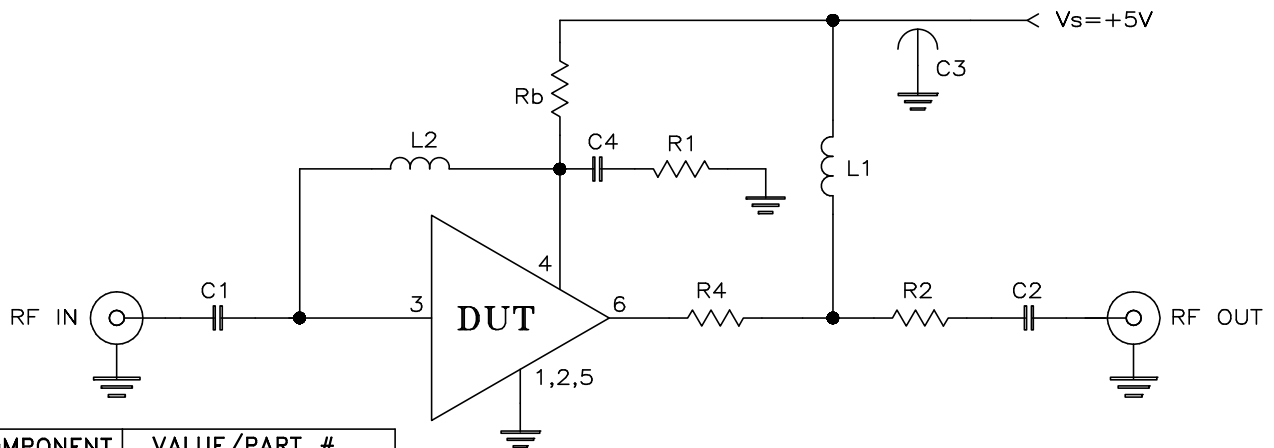
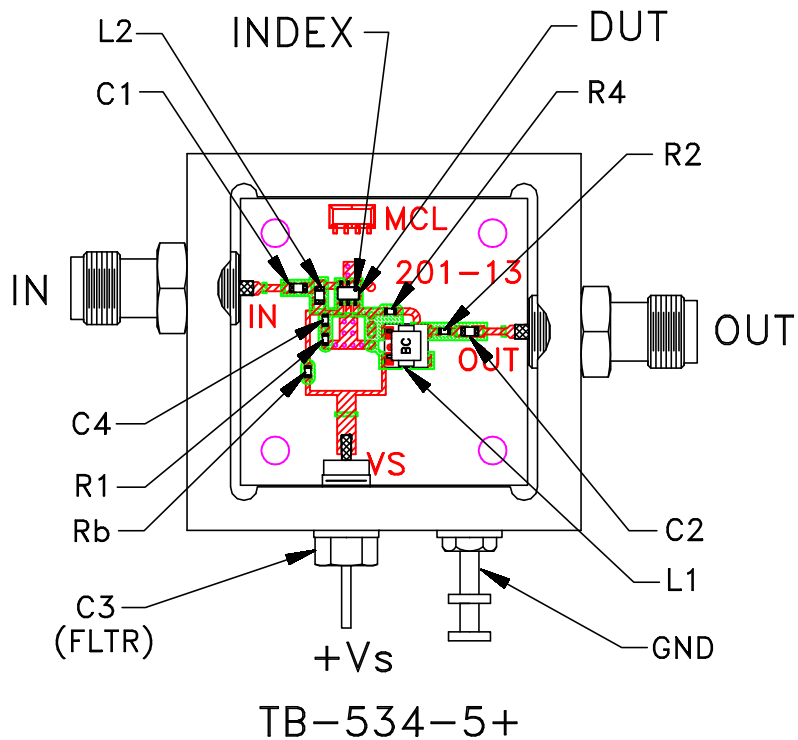


# Evaluation Board and Circuit



COMPONENT	VALUE/PART #
R1	49.9 $\Omega$
R2, R4	0 $\Omega$
Rb	2.74 k $\Omega$
C1, C2	1000 pF
C3 (FLTR)	1500 pF
C4	10 pF
L1	TCCH-80+, MCL
L2	180 nH
DUT	PSA-5455+, MCL

Schematic Diagram

**Notes:**

1. 50 Ohm SMA Female connectors.
2. PCB Material: R04350 or equivalent,  
Dielectric Constant=3.5, Thickness=.010 inch.

**Mini-Circuits®**