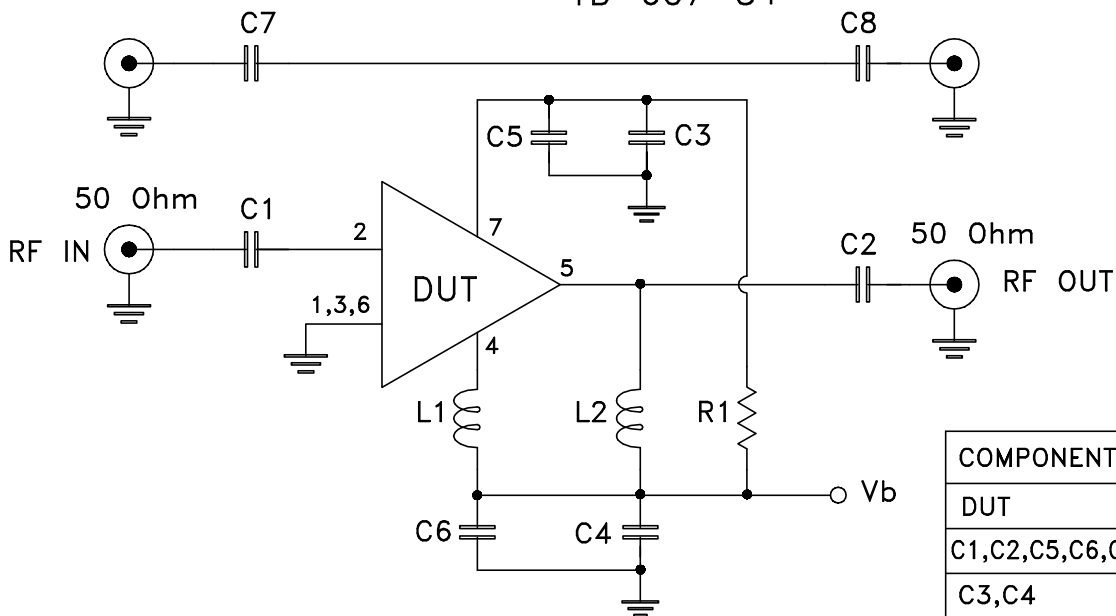
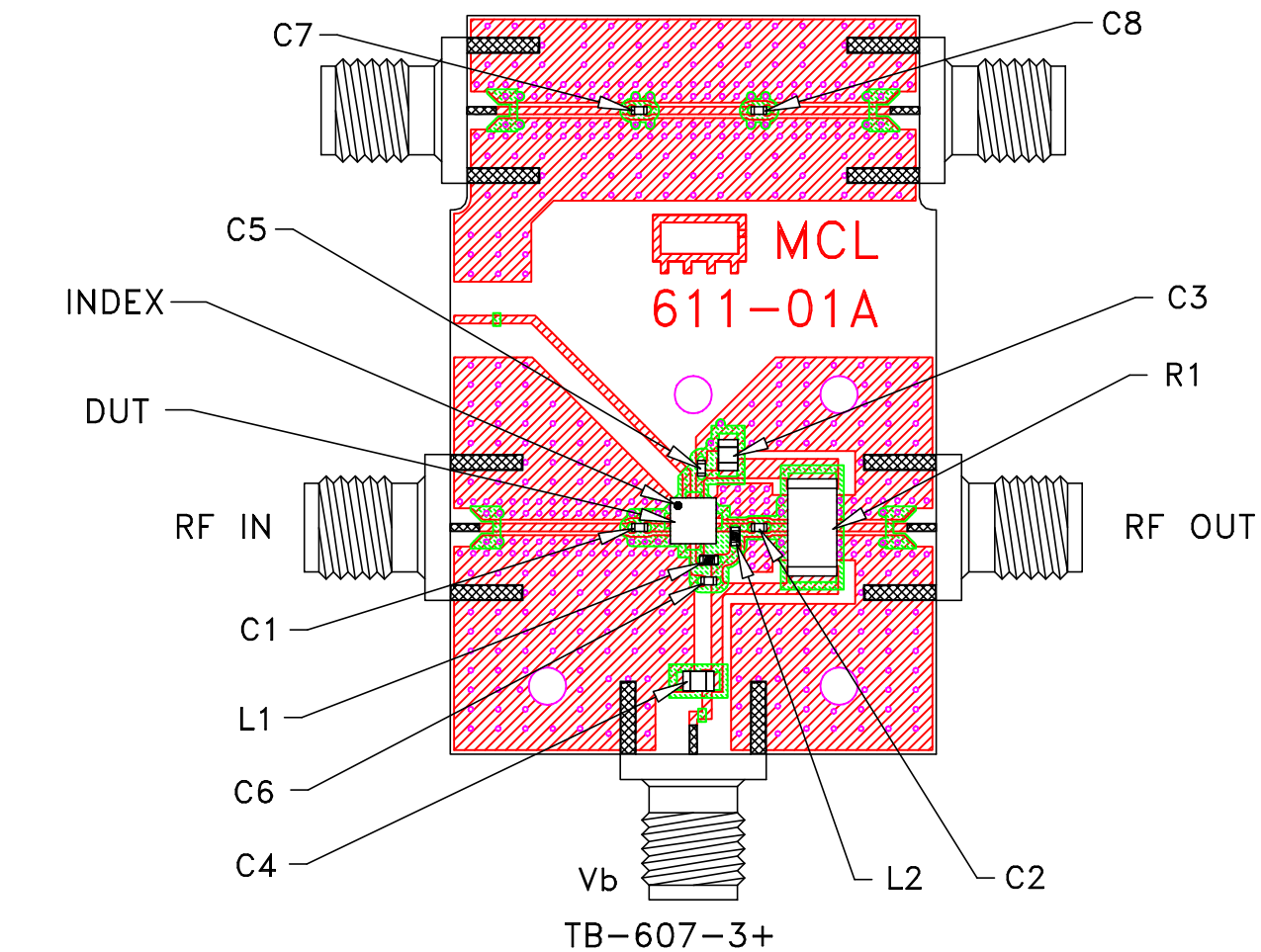


Evaluation Board and Circuit




Schematic Diagram

NOTES:

1. SMA Female connectors.
2. PCB material: Rogers R04350 or equivalent, dielectric constant=3.5, dielectric thickness=.010 inch.
3. R1 is a Bridge and perform no RF function. Not required for multilayer Board.

| COMPONENT | DESCRIPTION |
|-------------------|-----------------|
| DUT | PMA-545G3+, MCL |
| C1,C2,C5,C6,C7,C8 | 100 pF |
| C3,C4 | 1 uF |
| R1(SEE NOTE 3) | JUMPER, 0 Ohm |
| L1 | 36 nH |
| L2 | 47 nH |

 **Mini-Circuits®**