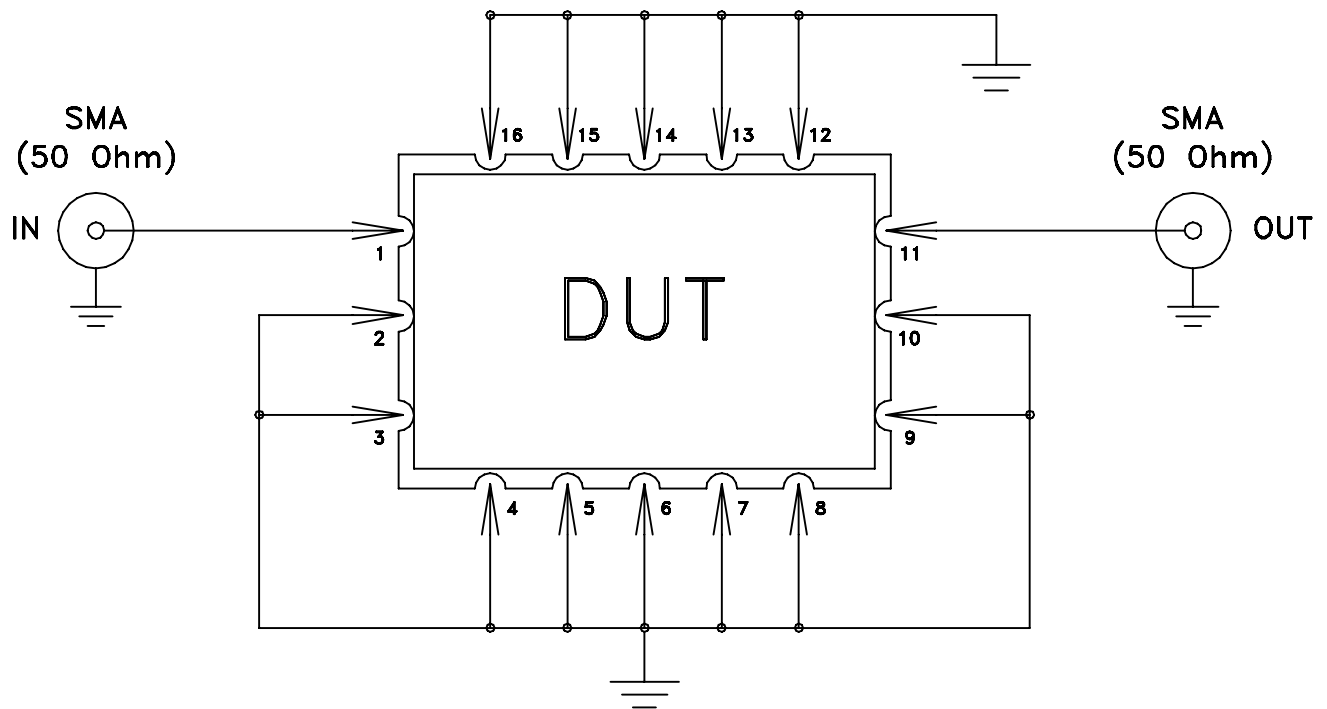
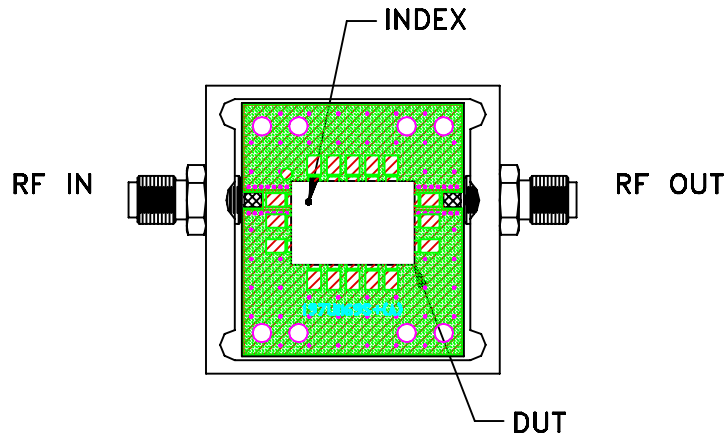



Evaluation Board and Circuit



Schematic Diagram

Notes:

1. 50 Ohm SMA Female connectors.
2. PCB Material: ROGERS (R04350B) or equivalent, Dielectric Constant=3.5, Thickness=.060 inch.

 **Mini-Circuits®**