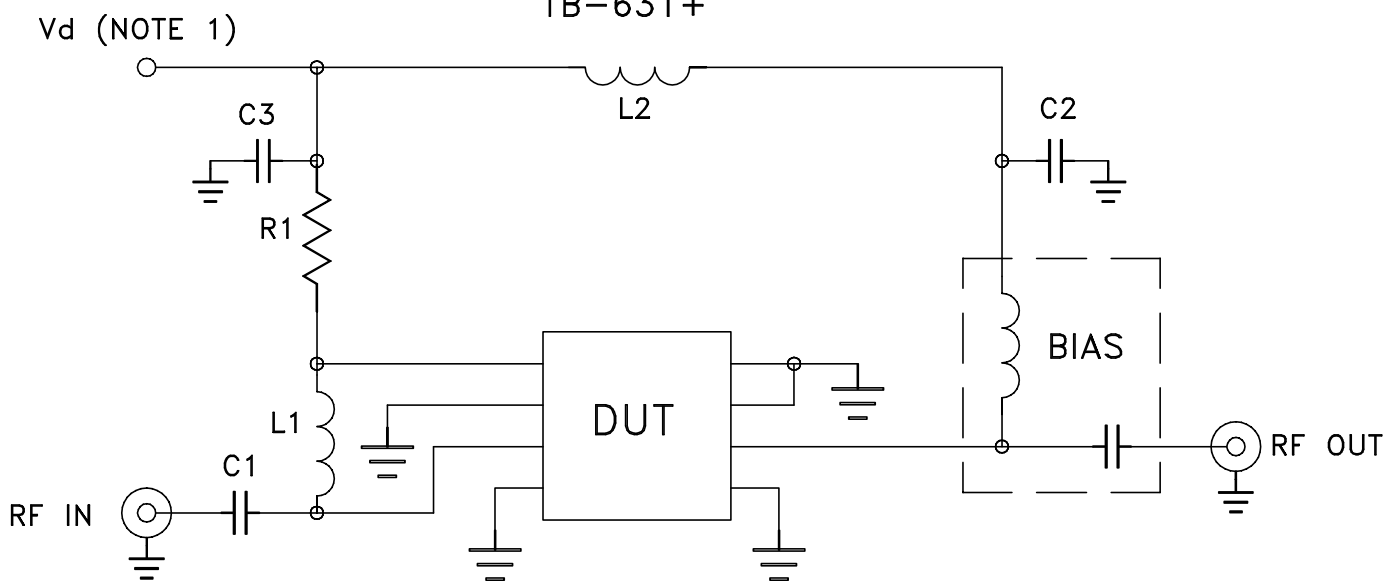
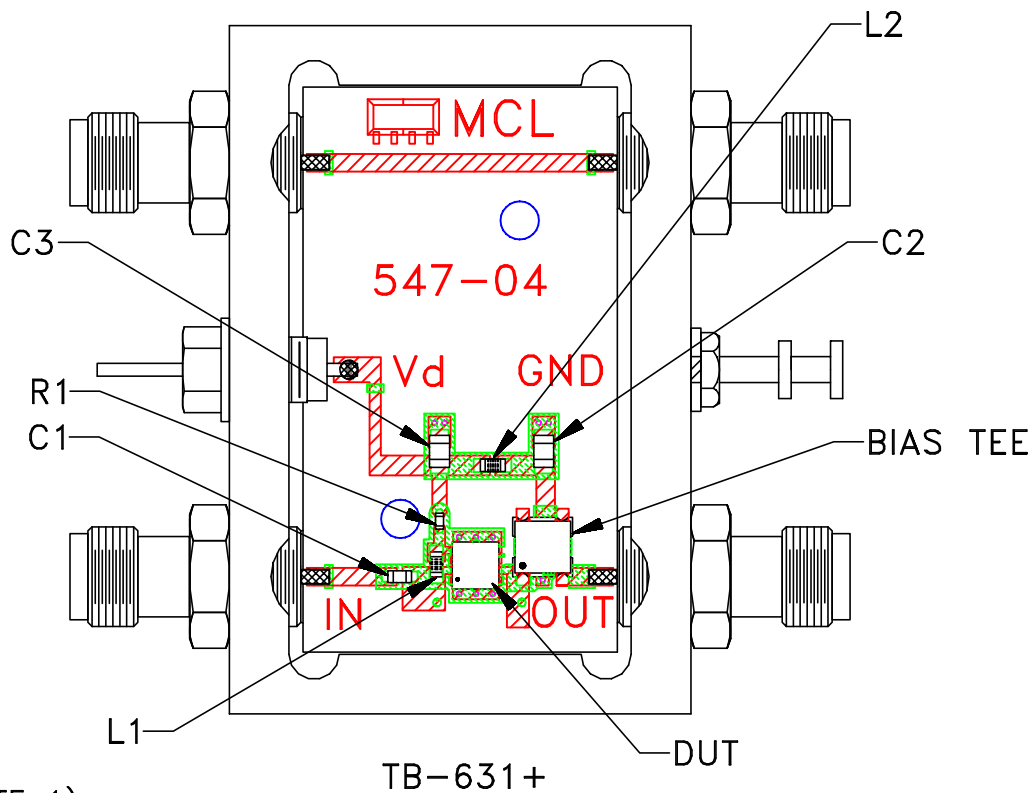


Evaluation Board and Circuit




COMPONENT	DESCRIPTION
DUT	CMA-545+ (NIKKO)
C1	2.2 nF
C2,C3	0.1 uF
L1	390 nH
L2	30 nH
R1	432 Ohms
BIAS TEE	Mini-Circuits TCBT-14+

NOTES:

1. Vd voltage: +3V.
2. SMA Female connectors.
3. PCB material: Rogers R04350 or equivalent, dielectric constant=3.5, dielectric thickness=.020 inch.

Schematic Diagram

 **Mini-Circuits®**