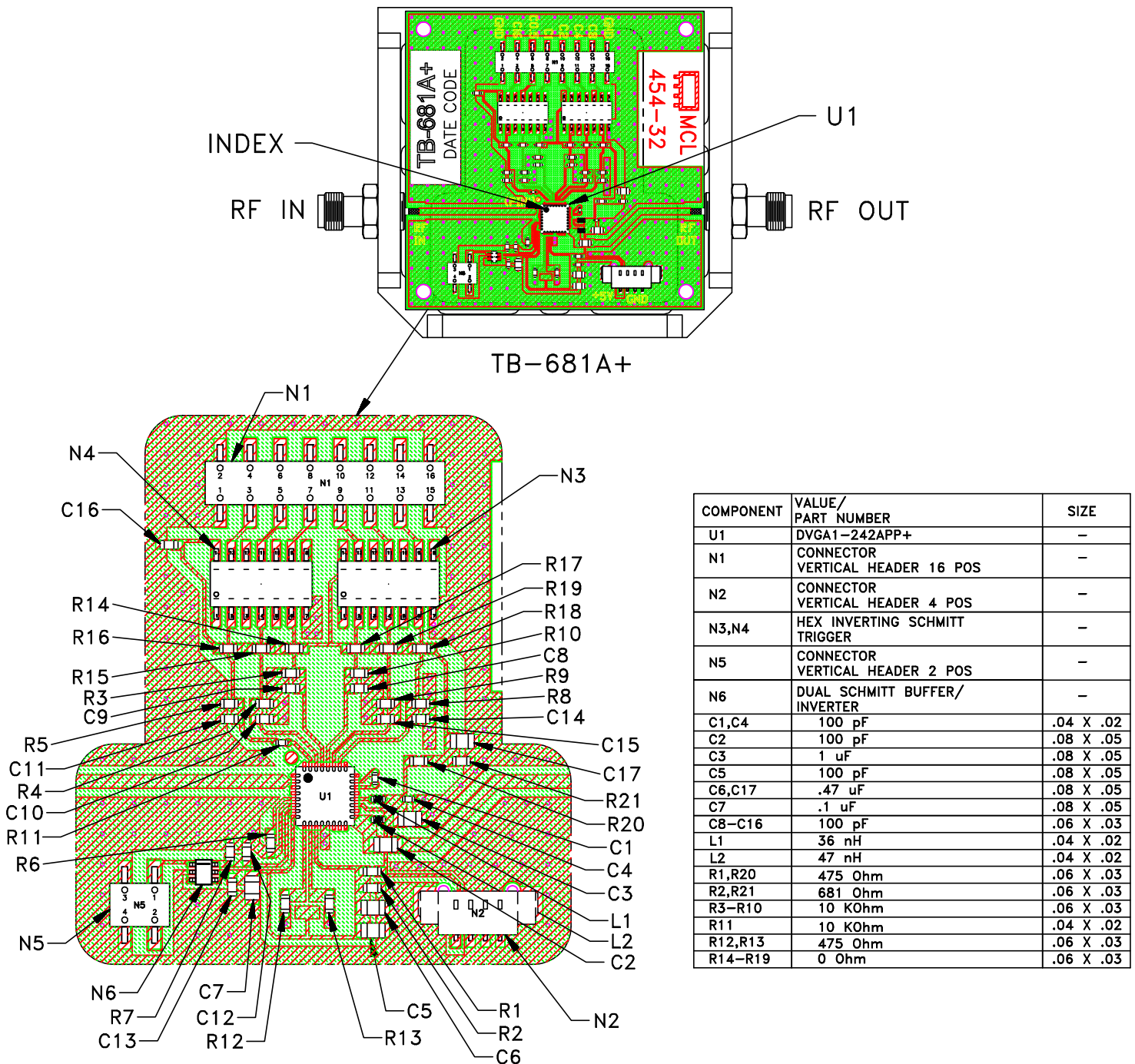



Evaluation Board and Circuit



COMPONENT	VALUE/ PART NUMBER	SIZE
U1	DVGA1-242APP+	-
N1	CONNECTOR VERTICAL HEADER 16 POS	-
N2	CONNECTOR VERTICAL HEADER 4 POS	-
N3,N4	HEX INVERTING SCHMITT TRIGGER	-
N5	CONNECTOR VERTICAL HEADER 2 POS	-
N6	DUAL SCHMITT BUFFER/ INVERTER	-
C1,C4	100 pF	.04 X .02
C2	100 pF	.08 X .05
C3	1 uF	.08 X .05
C5	100 pF	.08 X .05
C6,C17	.47 uF	.08 X .05
C7	.1 uF	.08 X .05
C8-C16	100 pF	.06 X .03
L1	36 nH	.04 X .02
L2	47 nH	.04 X .02
R1,R20	475 Ohm	.06 X .03
R2,R21	681 Ohm	.06 X .03
R3-R10	10 KOhm	.06 X .03
R11	10 KOhm	.04 X .02
R12,R13	475 Ohm	.06 X .03
R14-R19	0 Ohm	.06 X .03

Notes:

1. Test cables for connectors "N1,N2 & N3" are included in TB-681+ package.
2. Test software "Digital Step Attenuator & DVGA" is available for download from Mini-Circuits website: http://www.minicircuits.com/support/software_download.html
3. 50 Ohm SMA Female connectors.
4. PCB Material: FR4 or equivalent, Dielectric Constant=4.6, Thickness=.024 inch.

 **Mini-Circuits®**

