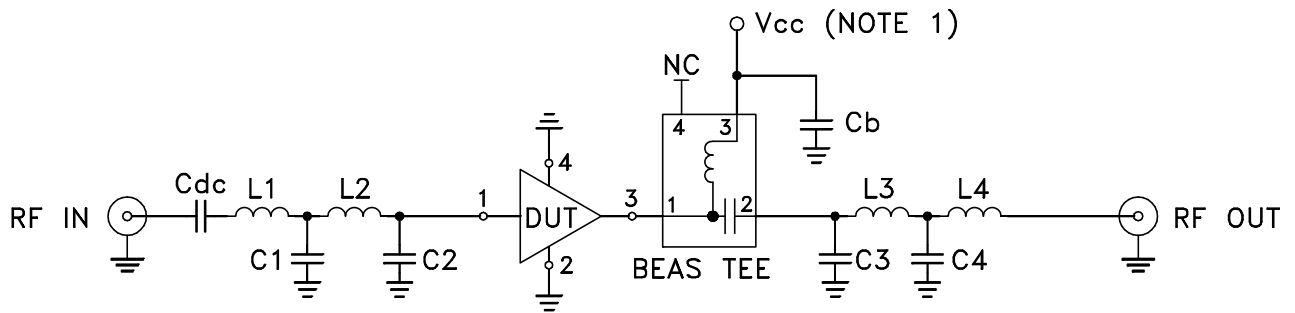
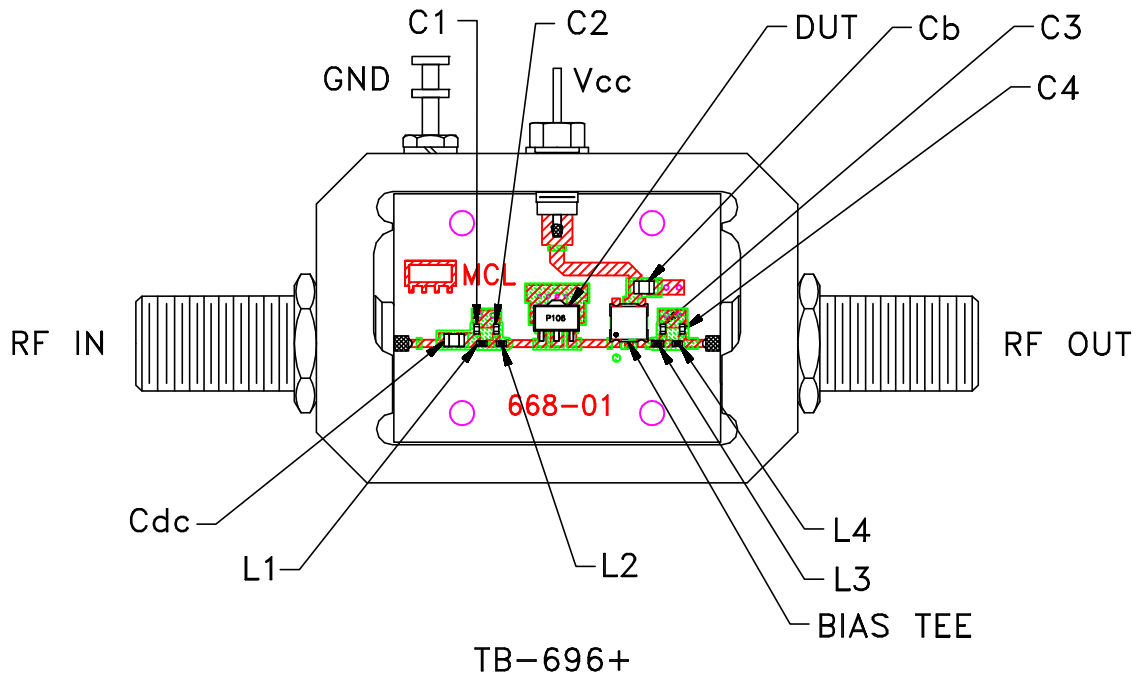


# Evaluation Board and Circuit




COMPONENT	VALUE	SIZE
DUT	PGA-106W-75+	-
BIAS TEE	Mini-Circuits TCBT-14+	-
Cdc	2400 pF	0805
Cb	0.1 uF	0805
C1	0.4 pF	0402
C2,C3	1.0 pF	0402
C4	0.3 pF	0402
L1,L2,L4	6.2 nH	0402
L3	4.7nH	0402

## Schematic Diagram

### NOTES:

1. Vcc voltage:  $+5 \pm 0.2V$ .
2. F Type Female 75 Ohm connectors.
3. PCB material: Rogers R04350 or equivalent, dielectric constant=3.5, dielectric thickness=.030 inch.

 **Mini-Circuits®**