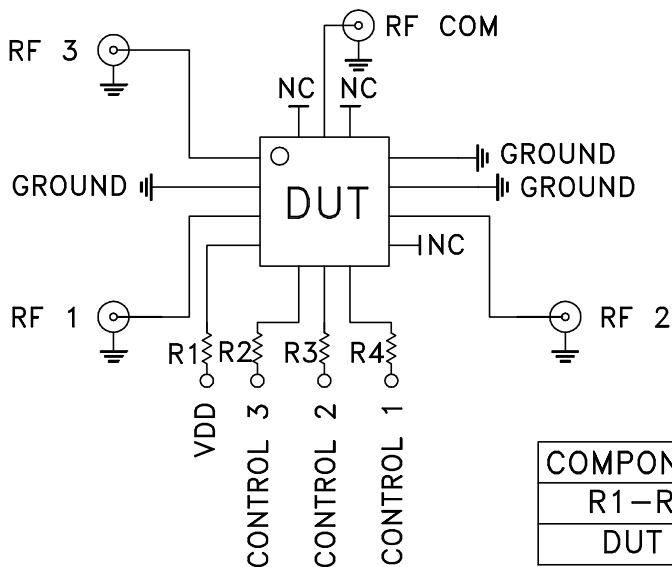
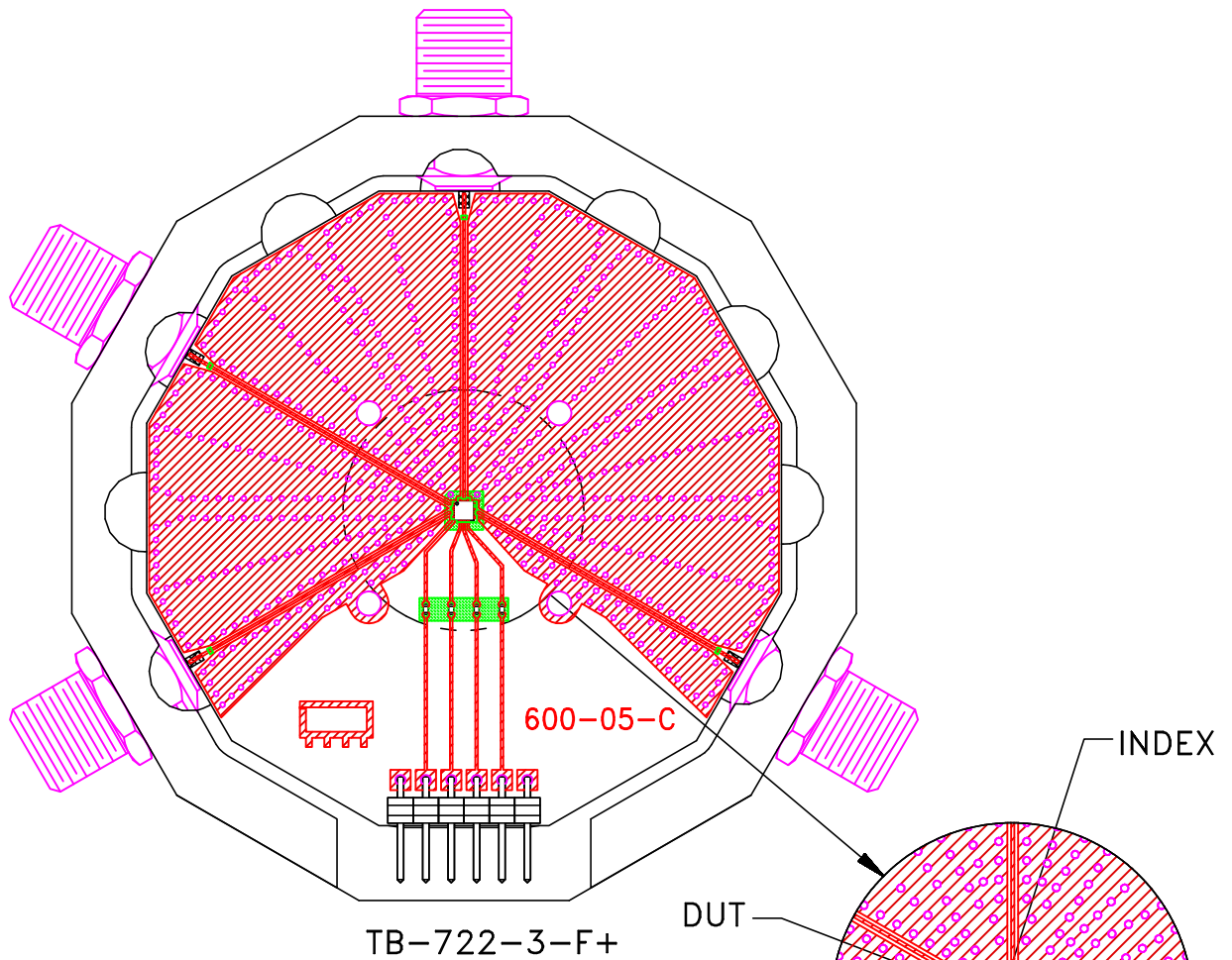


Evaluation Board and Circuit




| COMPONENT | VALUE/PART NUMBER | SIZE |
|-----------|-------------------|------------|
| R1-R4 | 1 kOhm | .04X.02" |
| DUT | JSW3-23DR-75+ | .079X.079" |

Schematic Diagram

Notes:

1. 75 Ohm "F"-type Female connectors.
2. PCB Material: R04350 or equivalent,
Dielectric Constant=3.5,
Thickness=.030 inch.

 **Mini-Circuits®**