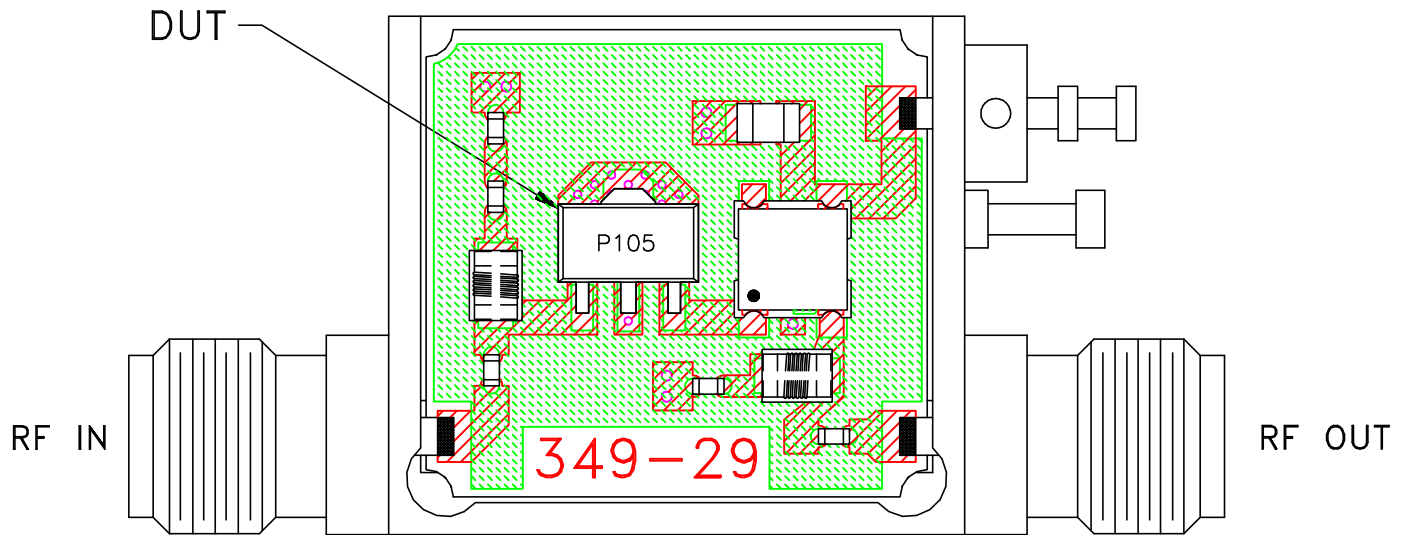
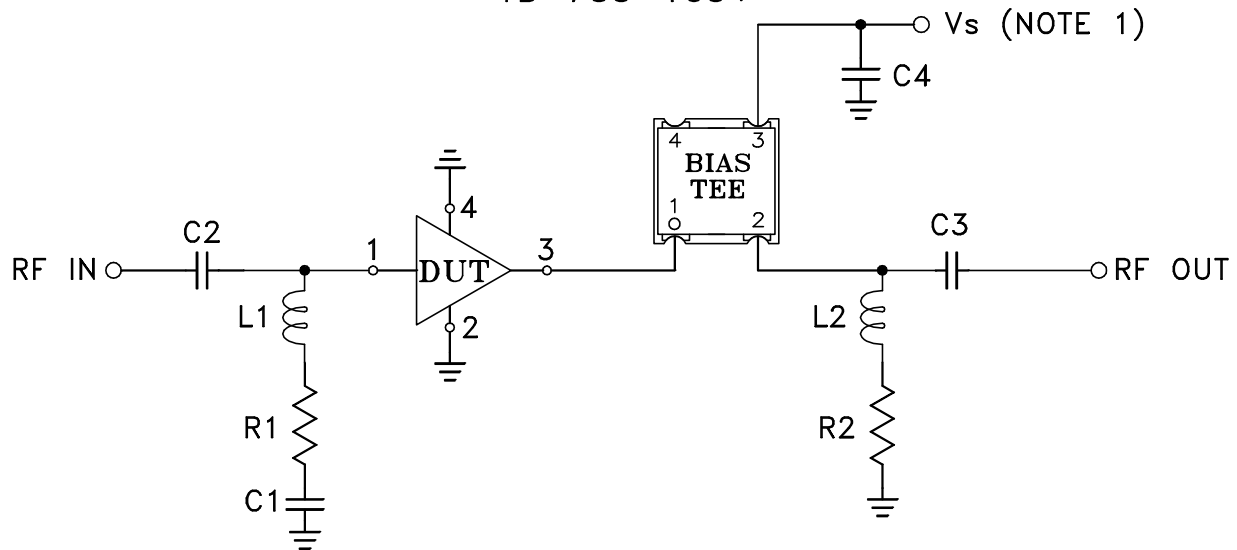


Evaluation Board and Circuit



TB-733-105+




COMPONENT	VALUE	SIZE
DUT	PGA-105+	SOT-89
C1	4700 pF	0402
C2,C3	2200 pF	0402
C4	0.1 uF	0805
R1	14 Ohm	0402
R2	50 Ohm	0402
L1	390 nH	0805
L2	330 nH	0805
BIAS TEE	Mini-Circuits TCBT-14+	

NOTES:

1. Vs voltage: $+5 \pm 0.2V$.
2. SMA Female connectors.
3. PCB material: Rogers R04350 or equivalent, dielectric constant=3.5, dielectric thickness=.020 inch.

Schematic Diagram

 Mini-Circuits®