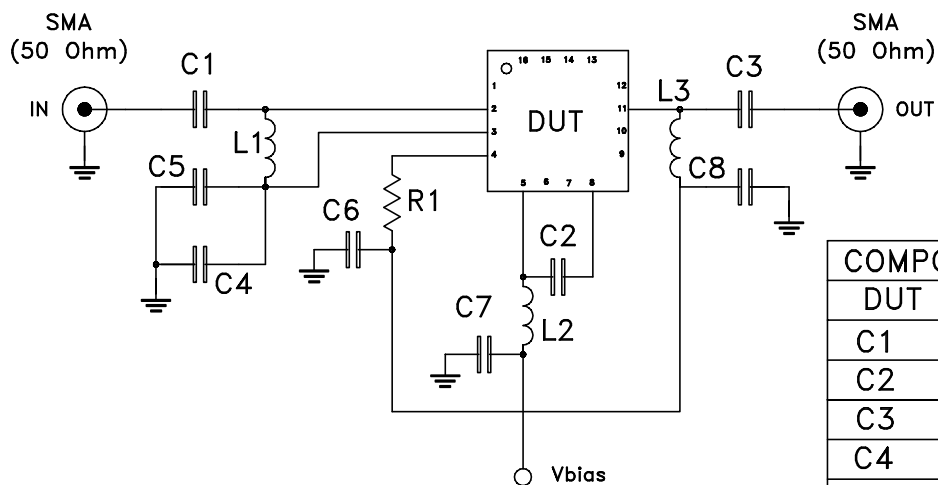
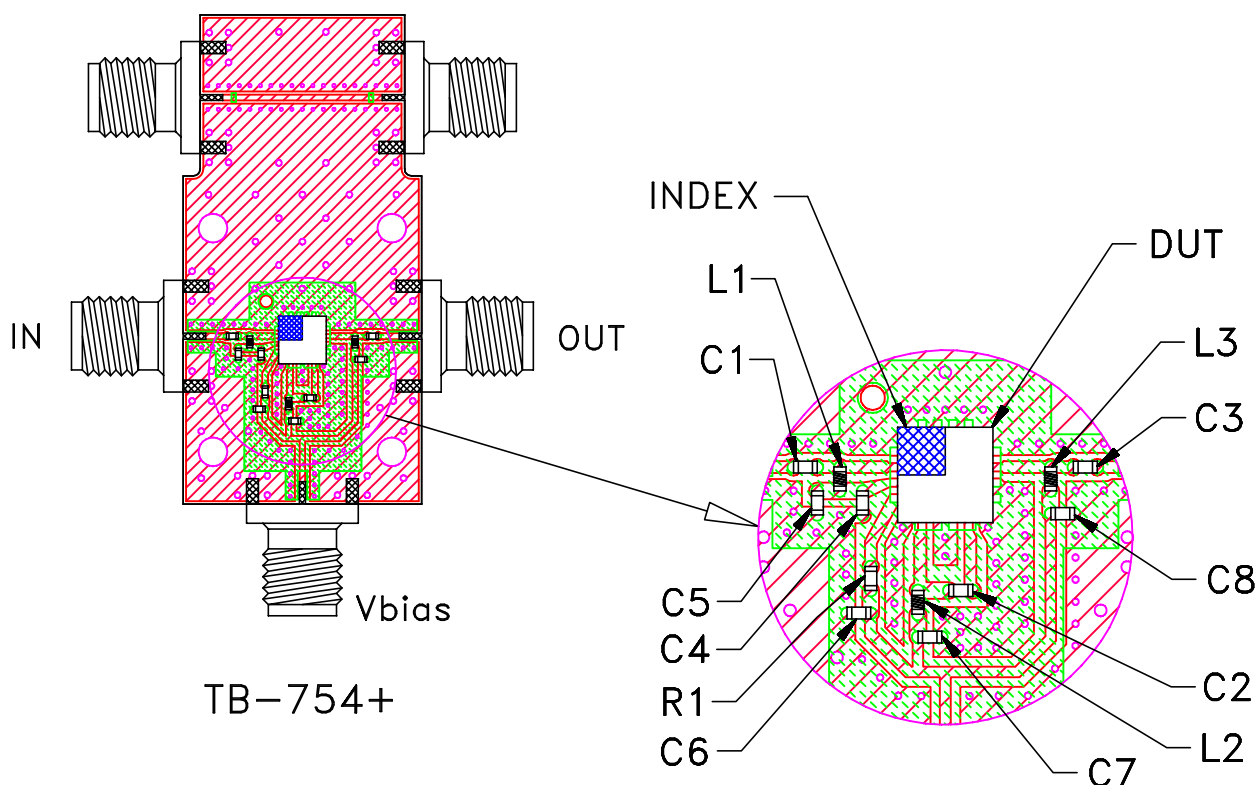


# Evaluation Board and Circuit




Schematic Diagram

COMPONENT	VALUE	SIZE
DUT	EA3	0402
C1	56 pF	
C2	82 pF	
C3	68 pF	
C4	1000 pF	
C5,C6,C7,C8	1.0 uF	
R1	1.0 kOhm	
L1	15 nH	
L2	5.6 nH	
L3	82 nH	

## Notes:

1. 50 Ohm SMA Female connectors.
2. PCB Material: R04350 or equivalent,  
Dielectric Constant=3.5, Thickness=.010 inch.

 **Mini-Circuits®**