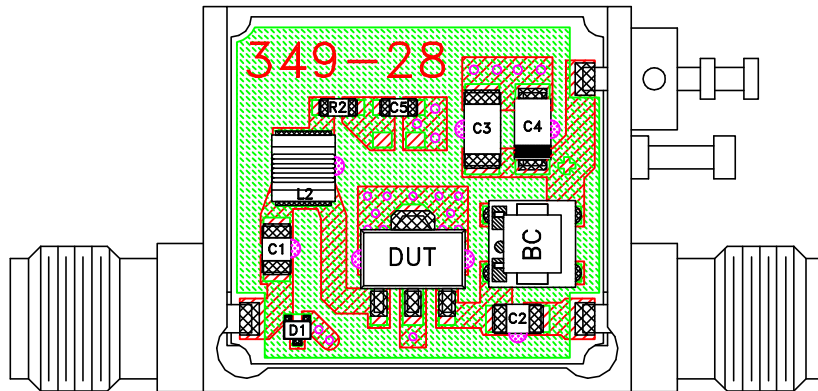
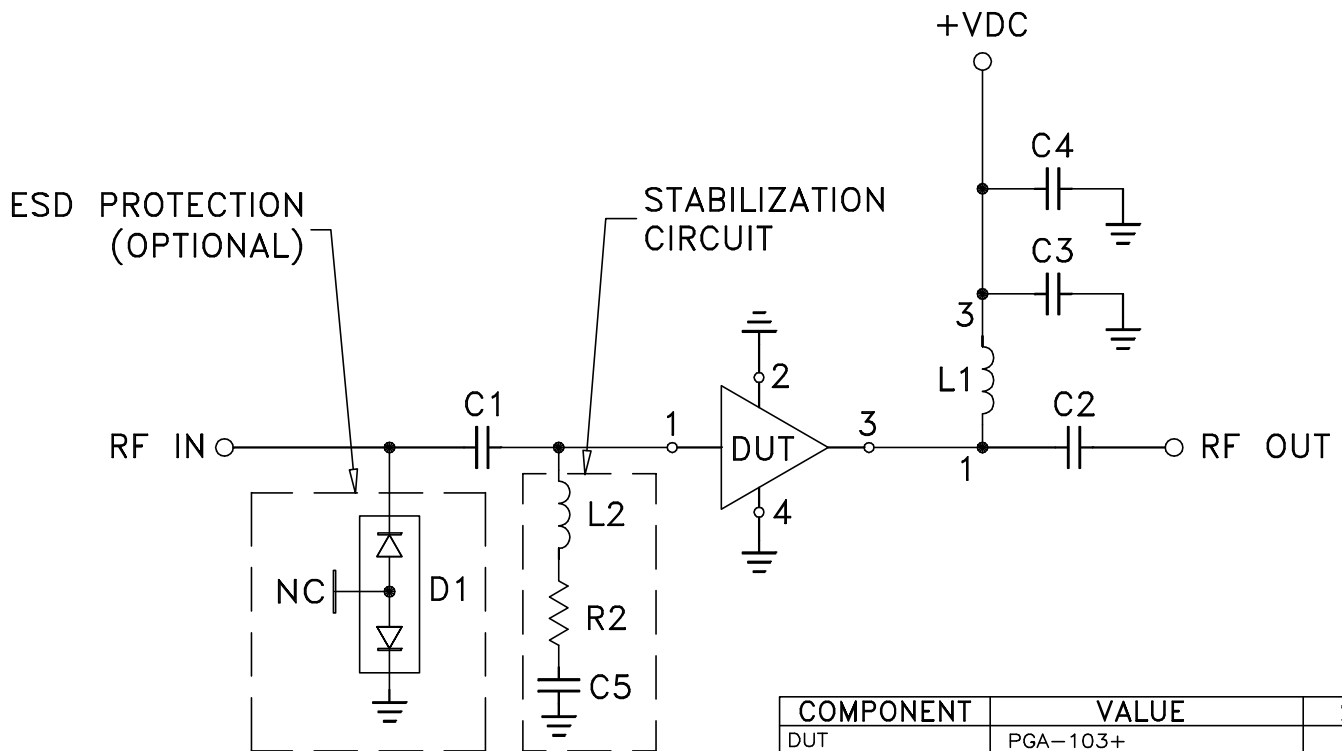


Evaluation Board and Circuit



TB-761-103+




Schematic Diagram

COMPONENT	VALUE	SIZE
DUT	PGA-103+	-
C1,C2	.01 uF	0805
C3	.33 uF	1206
C4	10 uF	1206
C5	330 pF	0603
D1	ESD Diode (See Note 3)	SOT 723
L1	TCCH-80+	-
L2	620 nH	.115X.110
R2	150 Ohm	0603

Notes:

1. 50 Ohm SMA Female connectors.
2. PCB Material: R04350 or equivalent,
Dielectric Constant=3.5, Thickness=.020 inch.
3. ON Semiconductor P/N ESD7L5.0DT5G+ (Optional)

 Mini-Circuits®