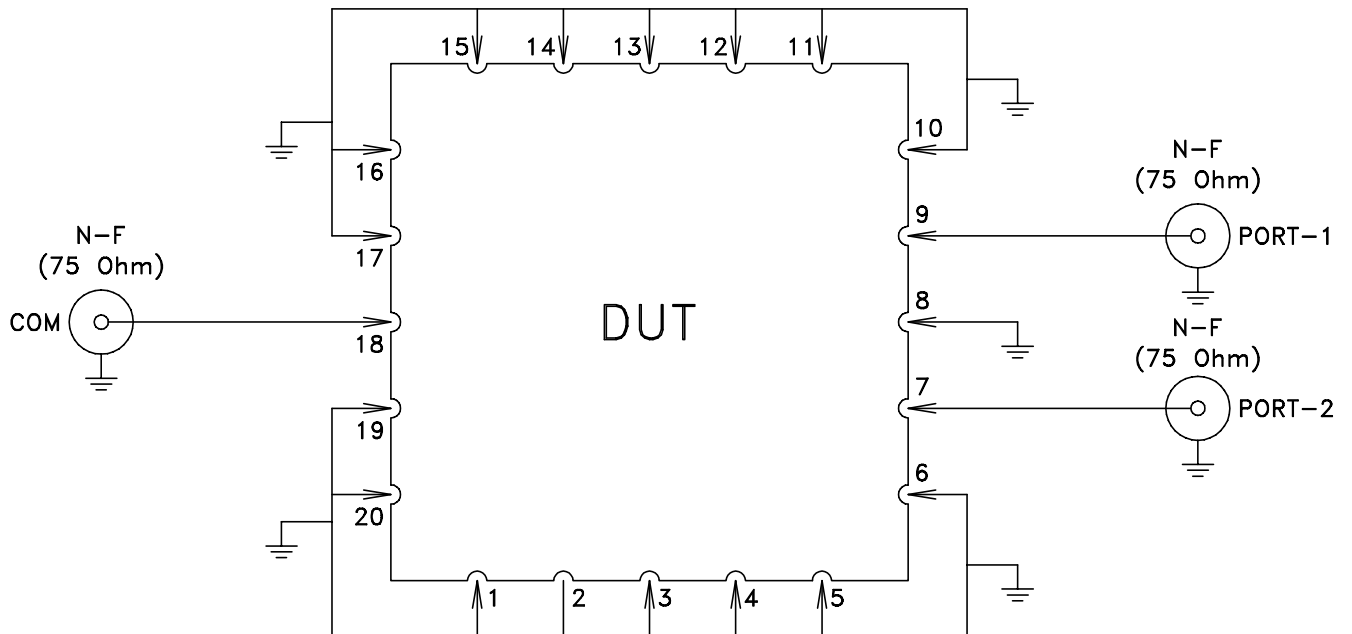
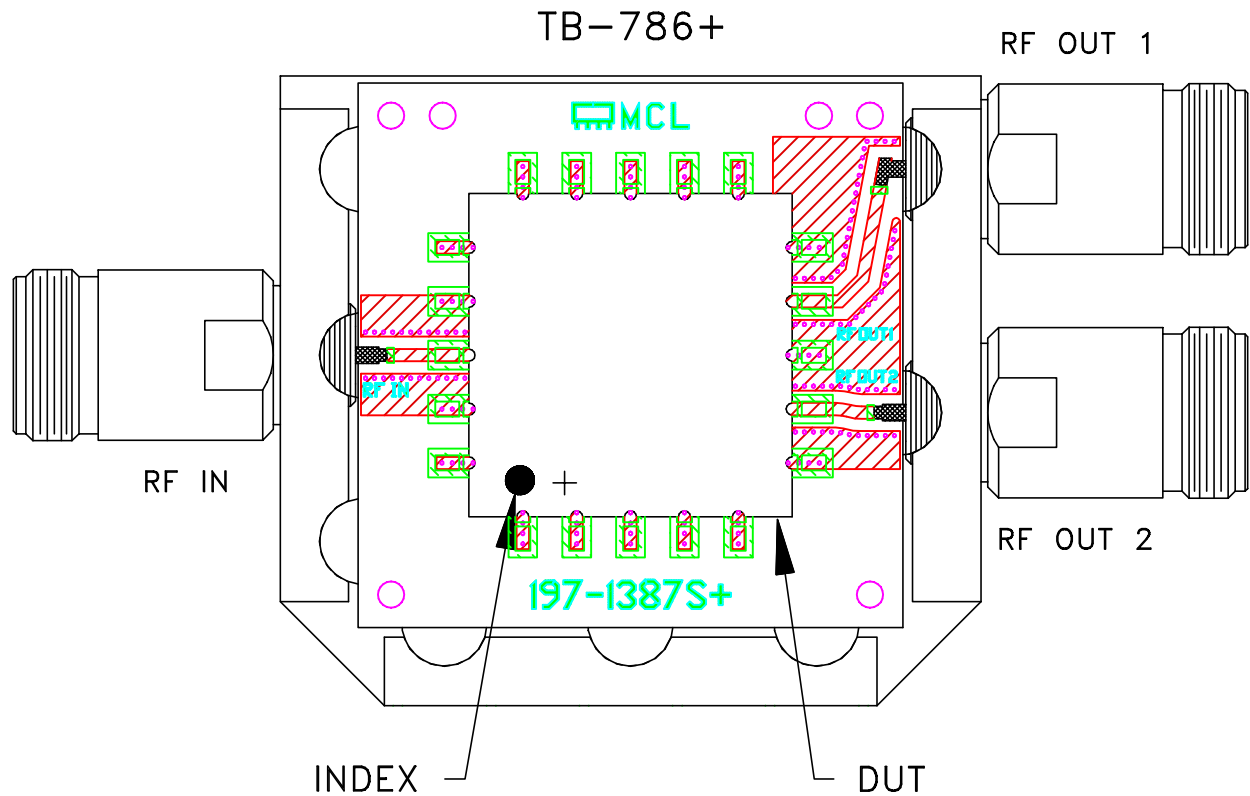



# Evaluation Board and Circuit



Schematic Diagram

**Notes:**

1. 75 Ohm N Female connectors.
2. PCB Material: OAK-602 OR Equivalent  
Dielectric Constant=2.50±.04, Thickness=.031 inch.

 **Mini-Circuits®**