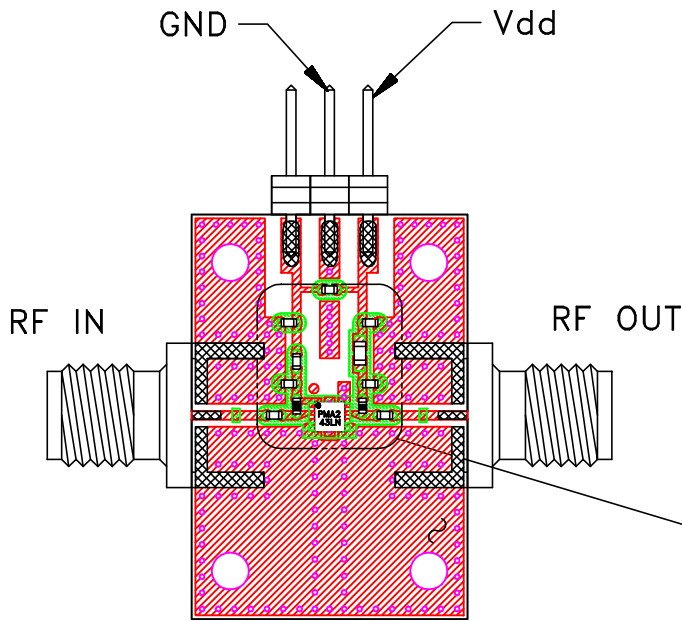
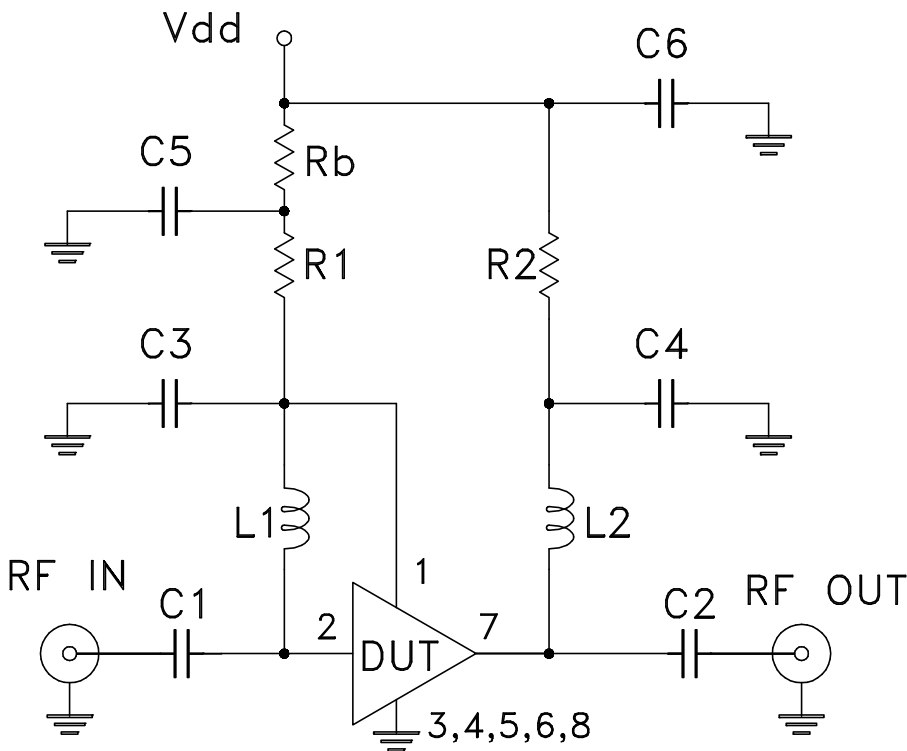
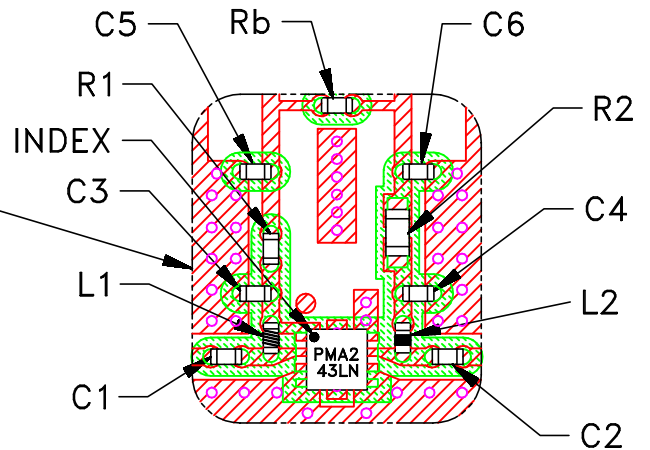


Evaluation Board and Circuit



TB-805+




Schematic Diagram

ITEM	DESCRIPTION	SIZE
C1,C2	CAP, 1000 pF	0402
C5,C6	CAP, 4.7 uF	0402
C3,C4	CAP, 100 pF	0402
L1	IND, 10 nH	0402
L2	IND, 8.2 nH	0402
R1	RES, 49.9 Ohm	0402
R2	RES, 0 Ohm	0603
Rb	RES, 5.11kOhm	0402
DUT	PMA2-43LN+	-

NOTES:

1. SMA Female connectors.
2. PCB material: Rogers R04350 or equivalent, dielectric constant=3.5, dielectric thickness=.010 inch.

 **Mini-Circuits®**