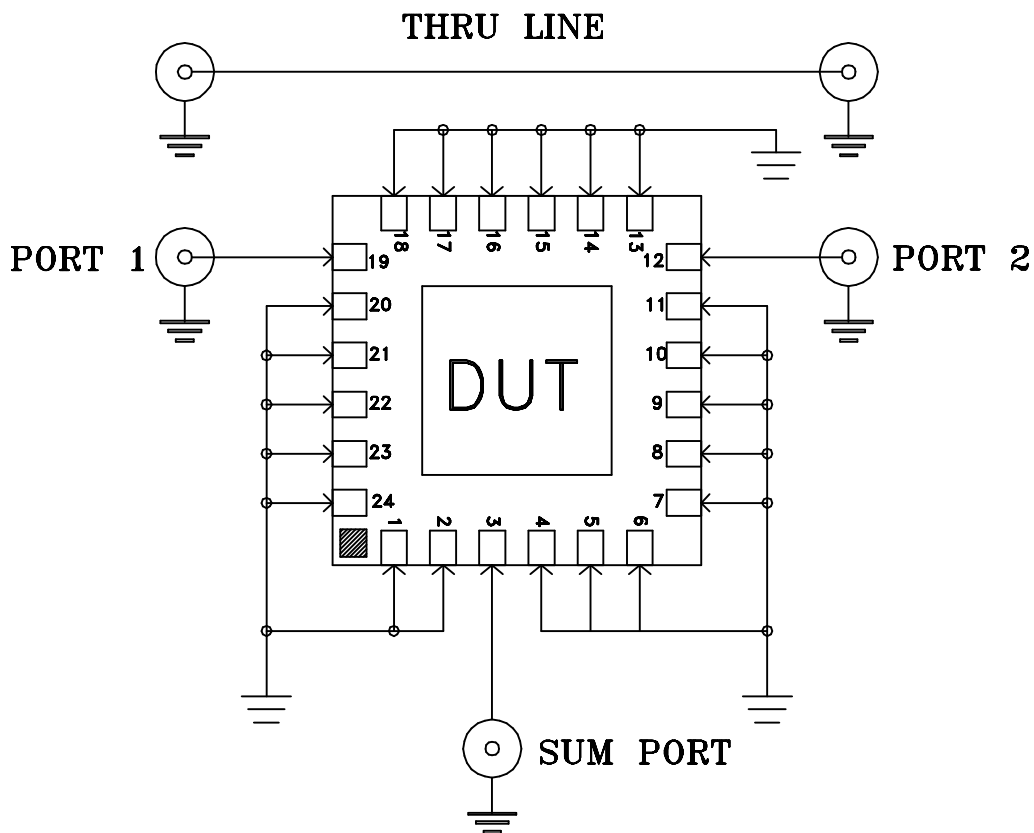
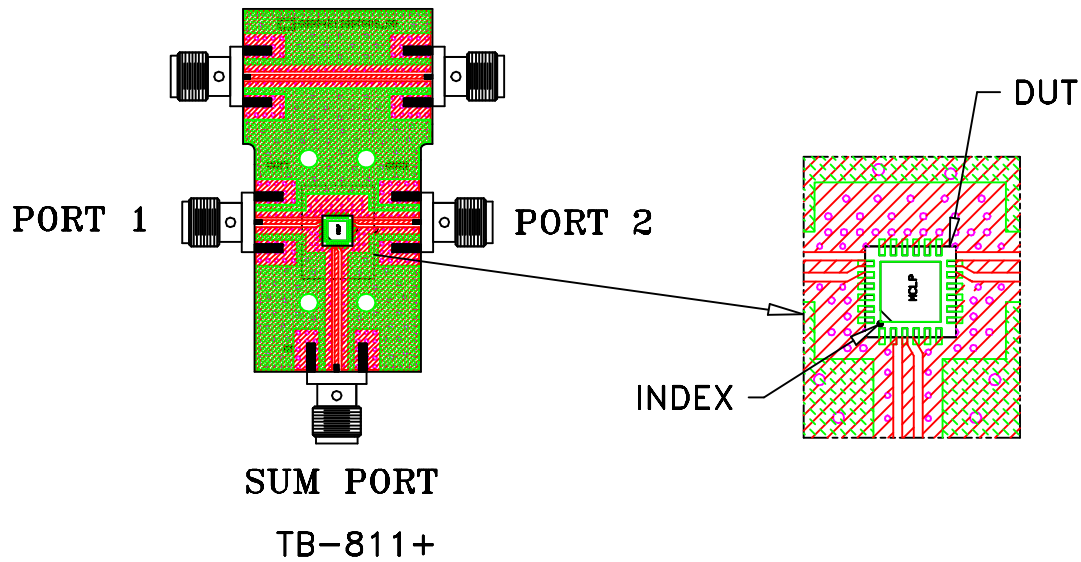



Evaluation Board and Circuit



Schematic Diagram

Notes:

1. SMA Female Connectors.
2. PCB Material: Roger R04350B or equivalent,
Dielectric constant=3.5, Thickness=.010 inch

 **Mini-Circuits®**