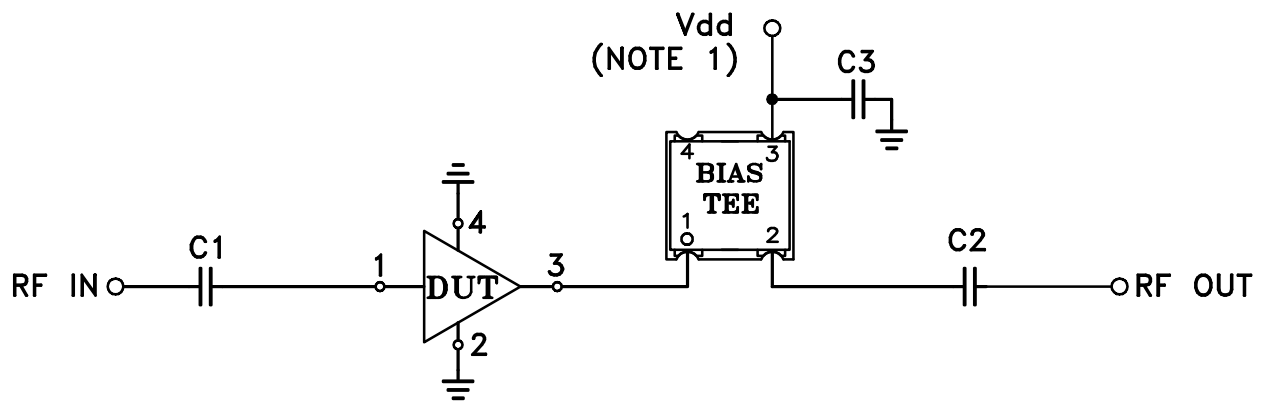
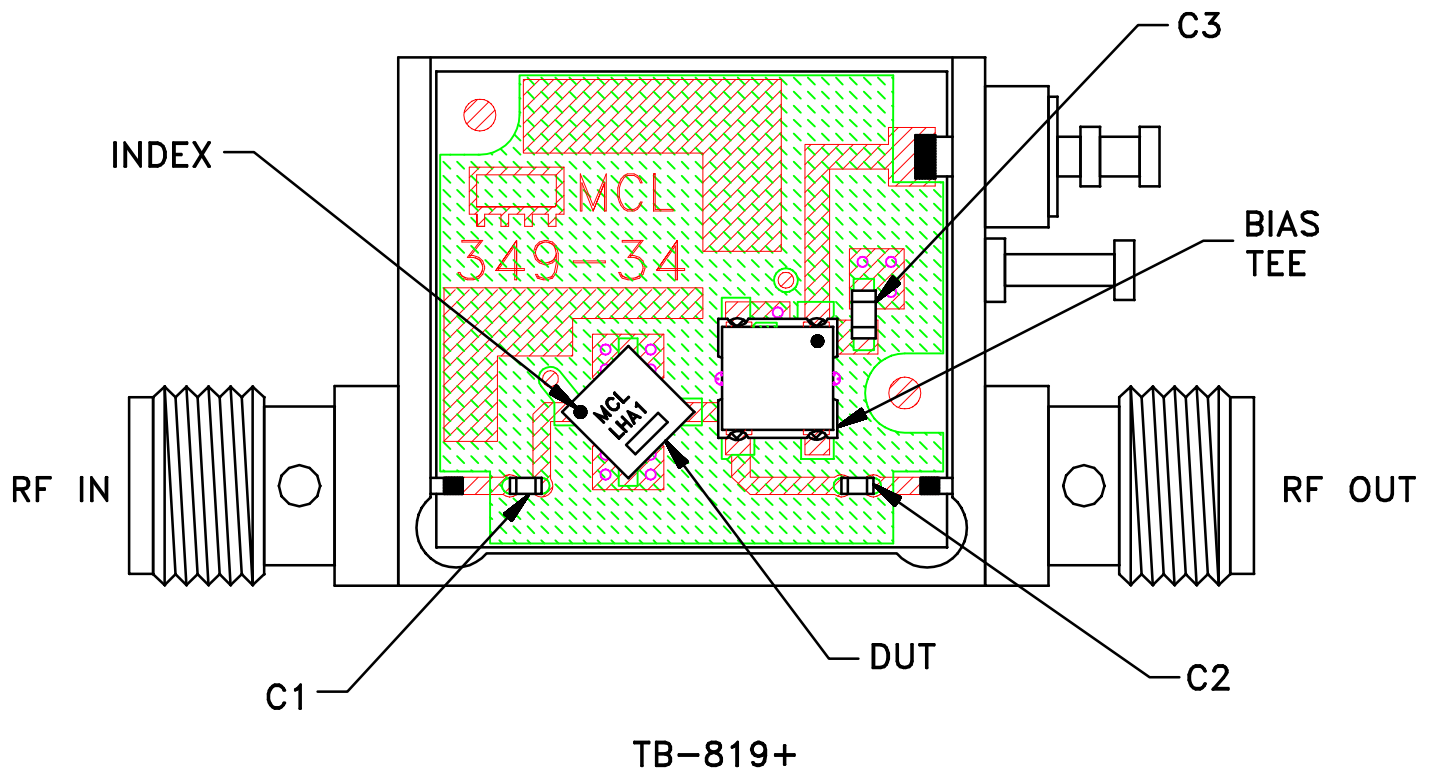


Evaluation Board and Circuit



COMPONENT	VALUE	SIZE
DUT	LHA-1+	3X3 MM
C1,C2	0.001 μ F	0402
C3	1 nF	0603
BIAS TEE	Mini-Circuits TCBT-14+	-

Schematic Diagram

NOTES:

1. Vs voltage: $+5 \pm 0.2V$.
2. SMA Female connectors.
3. PCB material: Rogers R04350 or equivalent, dielectric constant=3.5, dielectric thickness=.010 inch.

 Mini-Circuits®