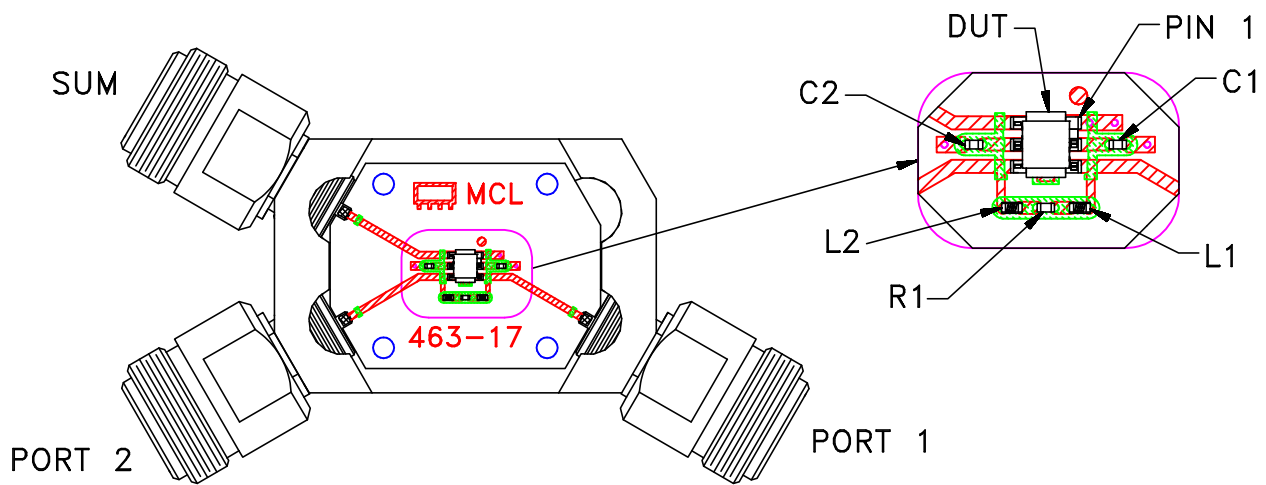
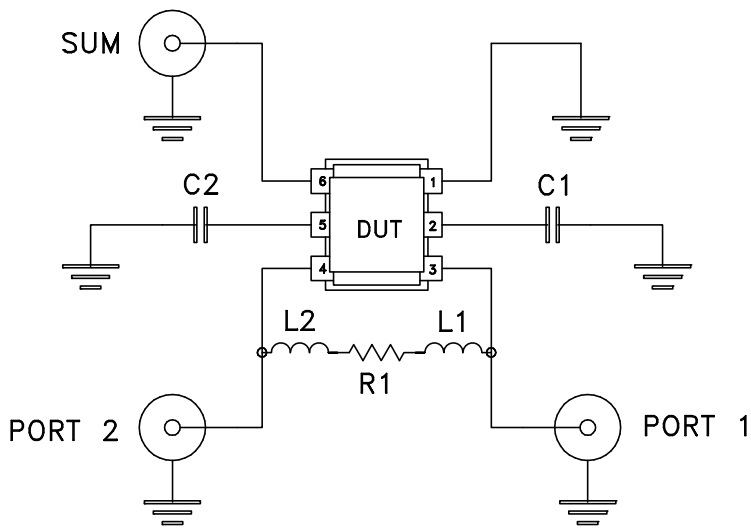


# Evaluation Board and Circuit



TB-835+




ITEM	DESCRIPTION	SIZE
DUT	TCP-2-10-75-13+	-
C1	CAP, 1.0 pF	0402
C2	CAP, 1.2 pF	
L1,L2	IND, 2.7 nH	
R1	RES, 150 Ohm	

Schematic Diagram

## Notes:

1. 75 Ohm N-type Female connectors.
2. PCB Material: R04350 or equivalent,  
Dielectric Constant=3.5, Thickness=.030 inch.

 **Mini-Circuits®**