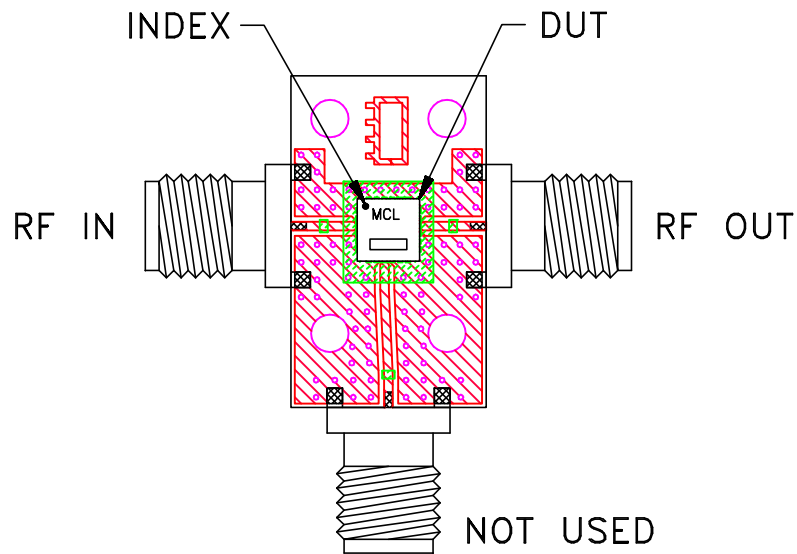
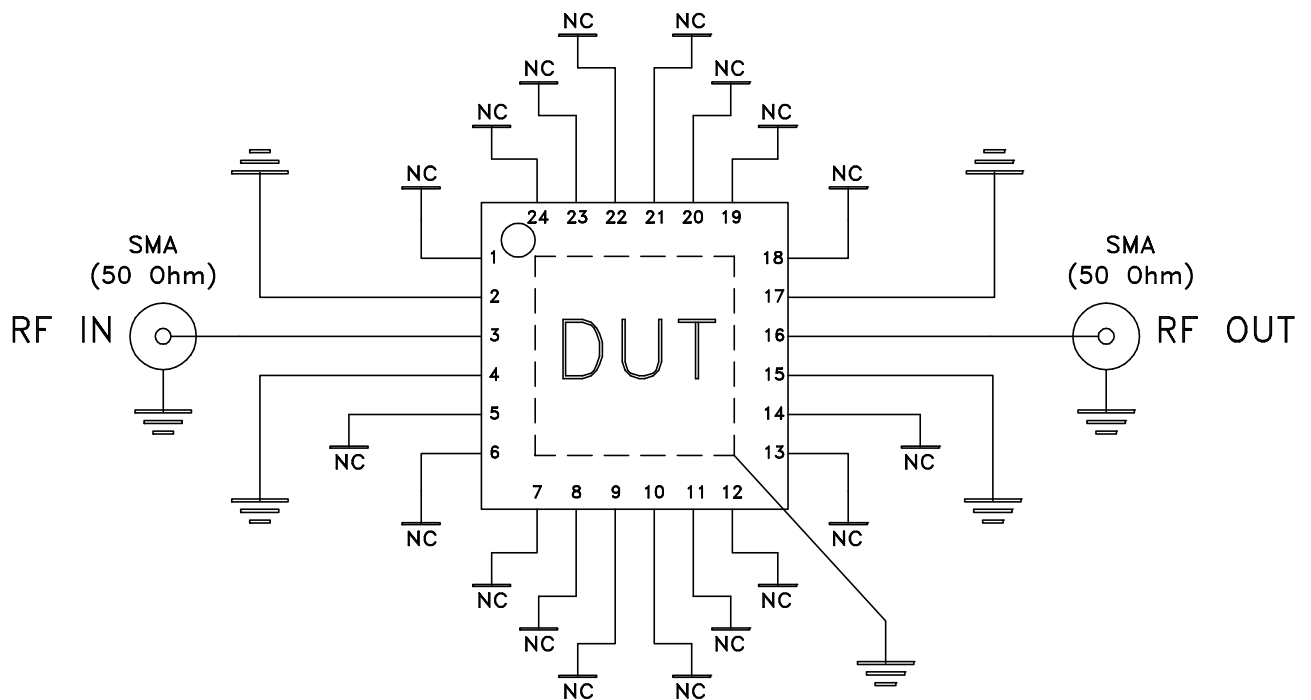


# Evaluation Board and Circuit




TB-851-143+



Schematic Diagram

## Notes:

1. 50 Ohm SMA Female connectors.
2. PCB Material: R04350 or equivalent,  
Dielectric Constant=3.5, Thickness=.010 inch.
3. "NC" pads are connected to PCB ground,  
except pin 9.

 **Mini-Circuits®**