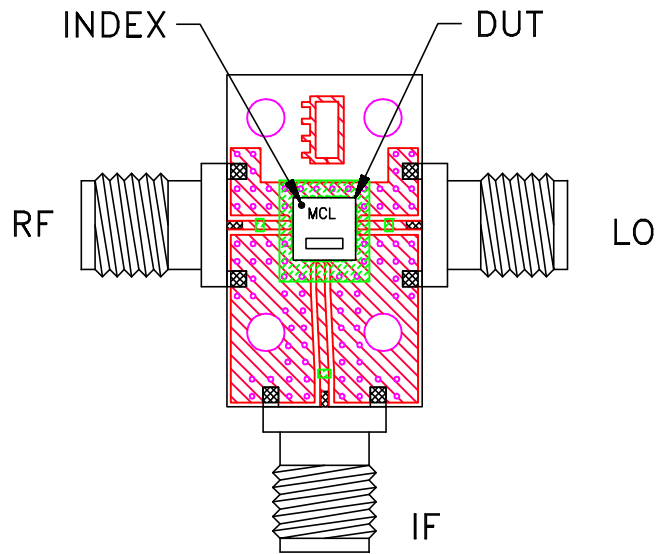
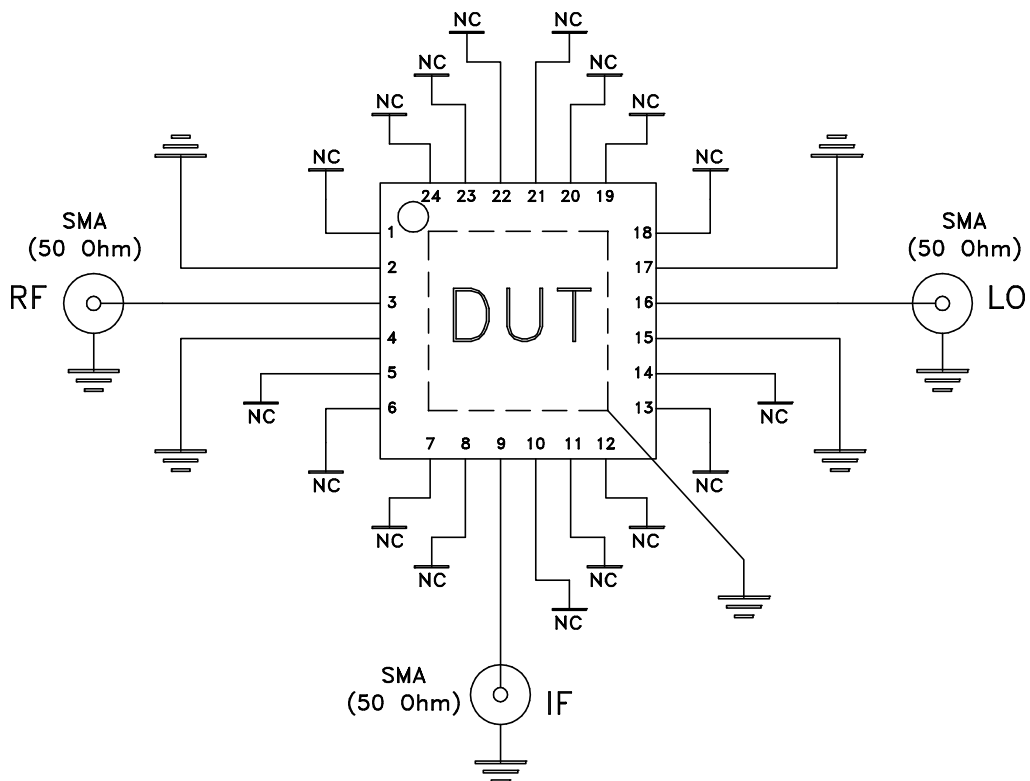


Evaluation Board and Circuit




TB-851-24H+



Schematic Diagram

Notes:

1. 50 Ohm SMA Female connectors.
2. PCB Material: R04350 or equivalent,
Dielectric Constant=3.5, Thickness=.010 inch.
3. "NC" pads are connected to PCB ground.

 **Mini-Circuits®**