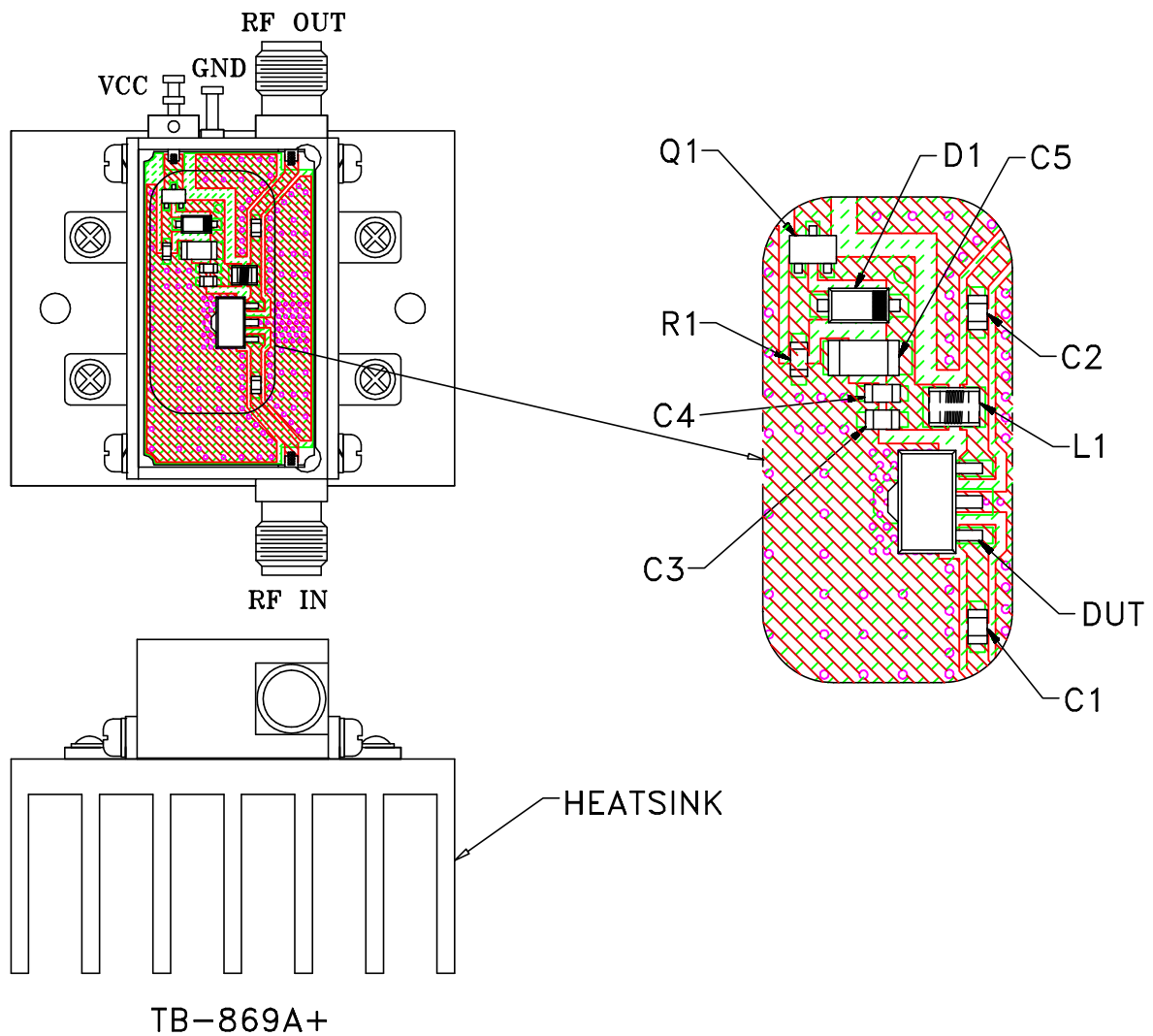
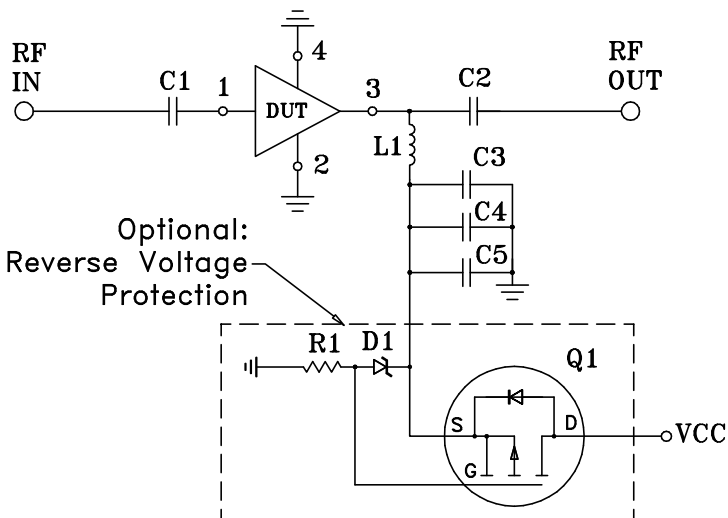


Evaluation Board and Circuit



TB-869A+



Schematic Diagram

COMPONENT	VALUE	SIZE
DUT	PHA-101+	-
C1,C2,C3	150 pF, 50V	0603
C4	0.01uF,25V	
C5	10uF,35V	1206
L1	390 nH	0805
D1	Zener Diode 5.6V ONSEMI MMSZ4690T1G	SOD123
R1	1.5 kOhm	0603
Q1	Transistor ONSEMI FET NTS4101P	SOT323

Notes:

1. 50 Ohm SMA Female connectors.
2. PCB Material: RO4350 or equivalent.
Dielectric Constant=3.5, Thickness=.020 inch.

Mini-Circuits®