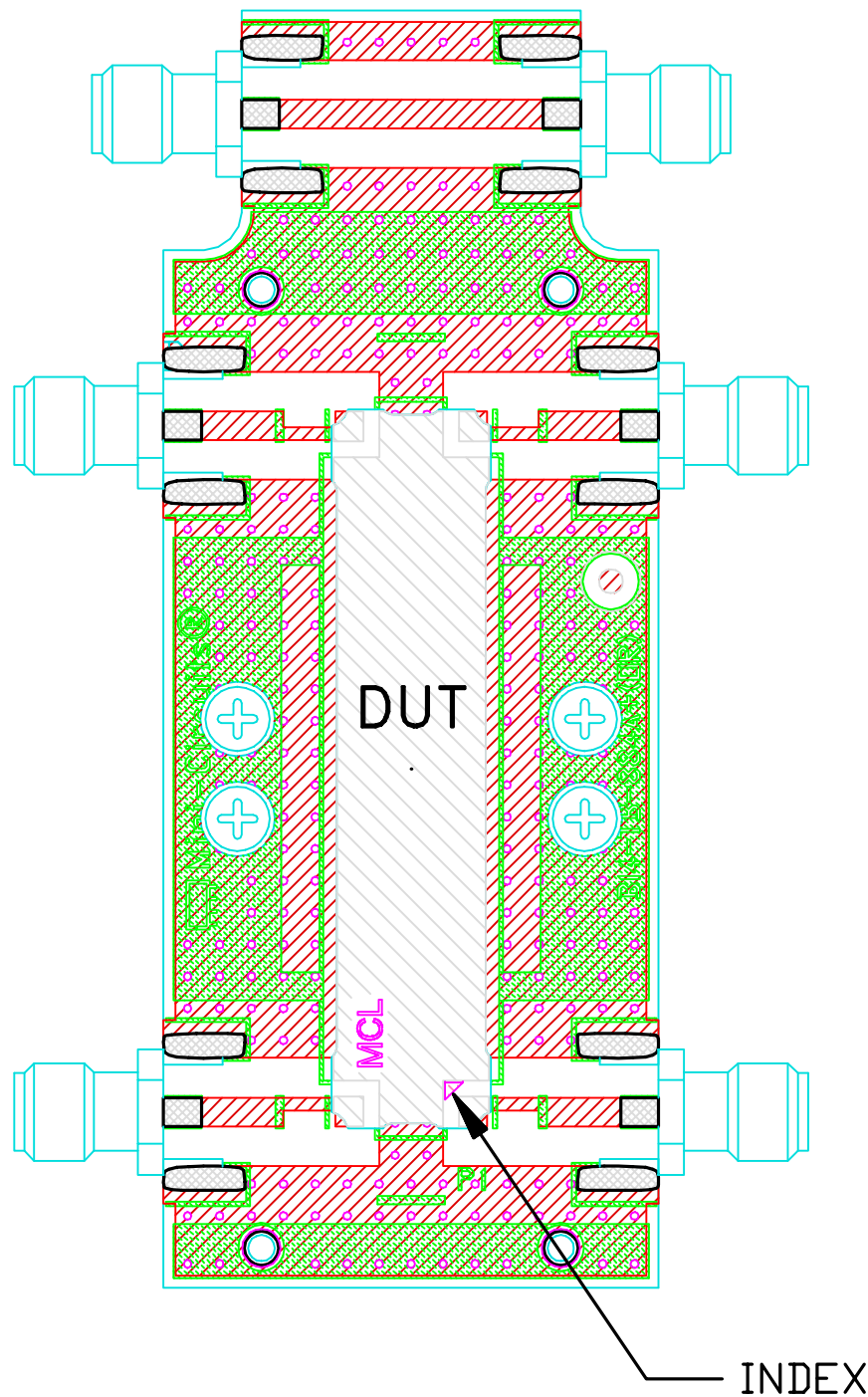


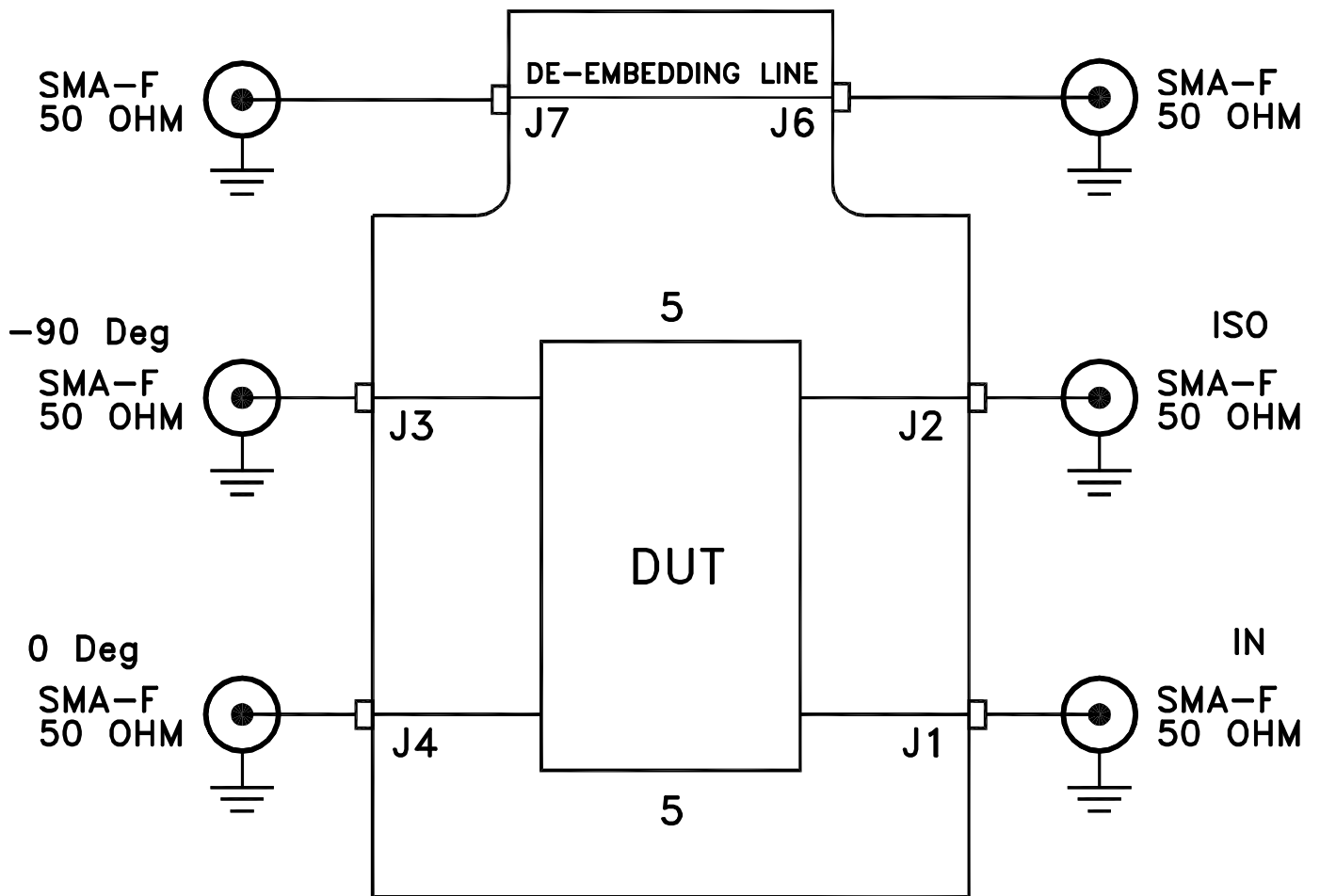
Evaluation Board and Circuit



TB-884+

NOTES:

1. SMA F JACK CONNECTORS.
2. PCB MATERIAL: ROGERS R04003C OR EQUIVALENT, DIALECTRIC CONSTANT=3.5, DIALECTRIC THICKNESS=.032 INCH.



TB-884+ Schematic Diagram