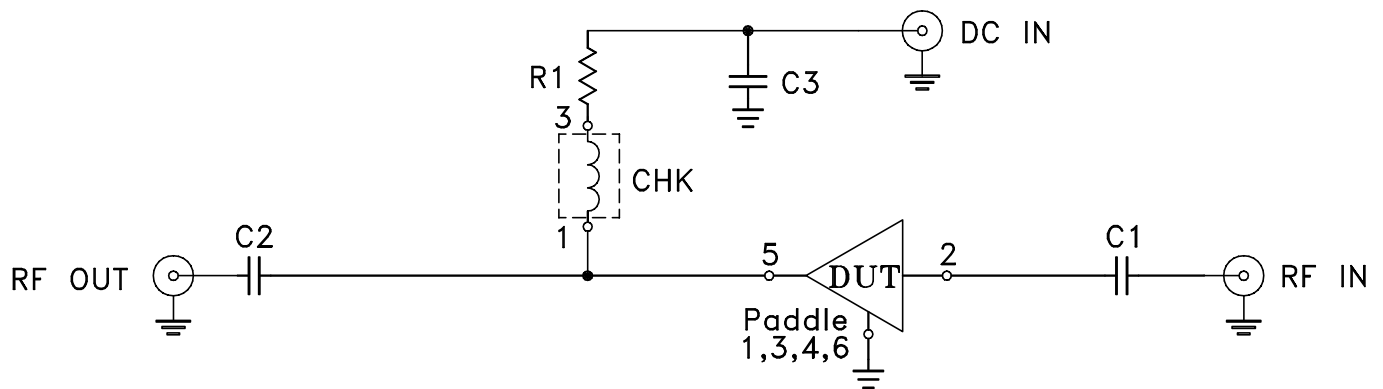
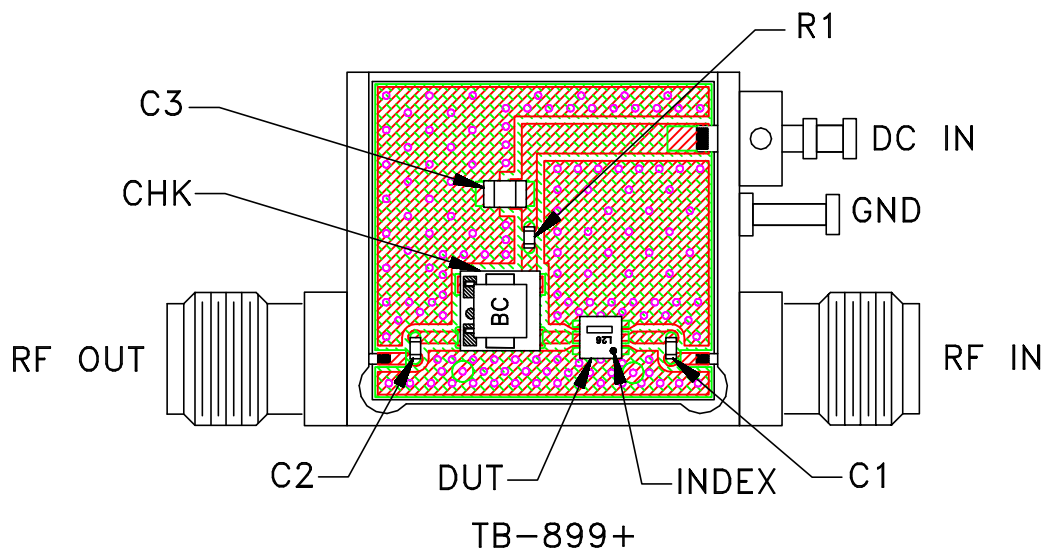
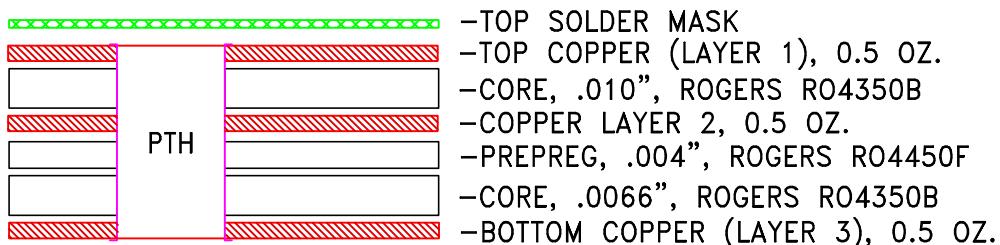


Evaluation Board and Circuit



COMPONENT	VALUE	SIZE
DUT	LEE2-6+	.079"X.079"
C1,C2	0.001 uF	0402
C3	0.1 uF	0805
R1	93.1 Ohm	0402
CHK	Mini-Circuits TCCH-80+	.150"X.150"


Schematic Diagram



Structural Diagram

NOTES:

1. SMA Female connectors.
2. PCB material: Rogers R04350 or equivalent, dielectric constant=3.5.
Total finished thickness=.026±10% inch.

 **Mini-Circuits®**