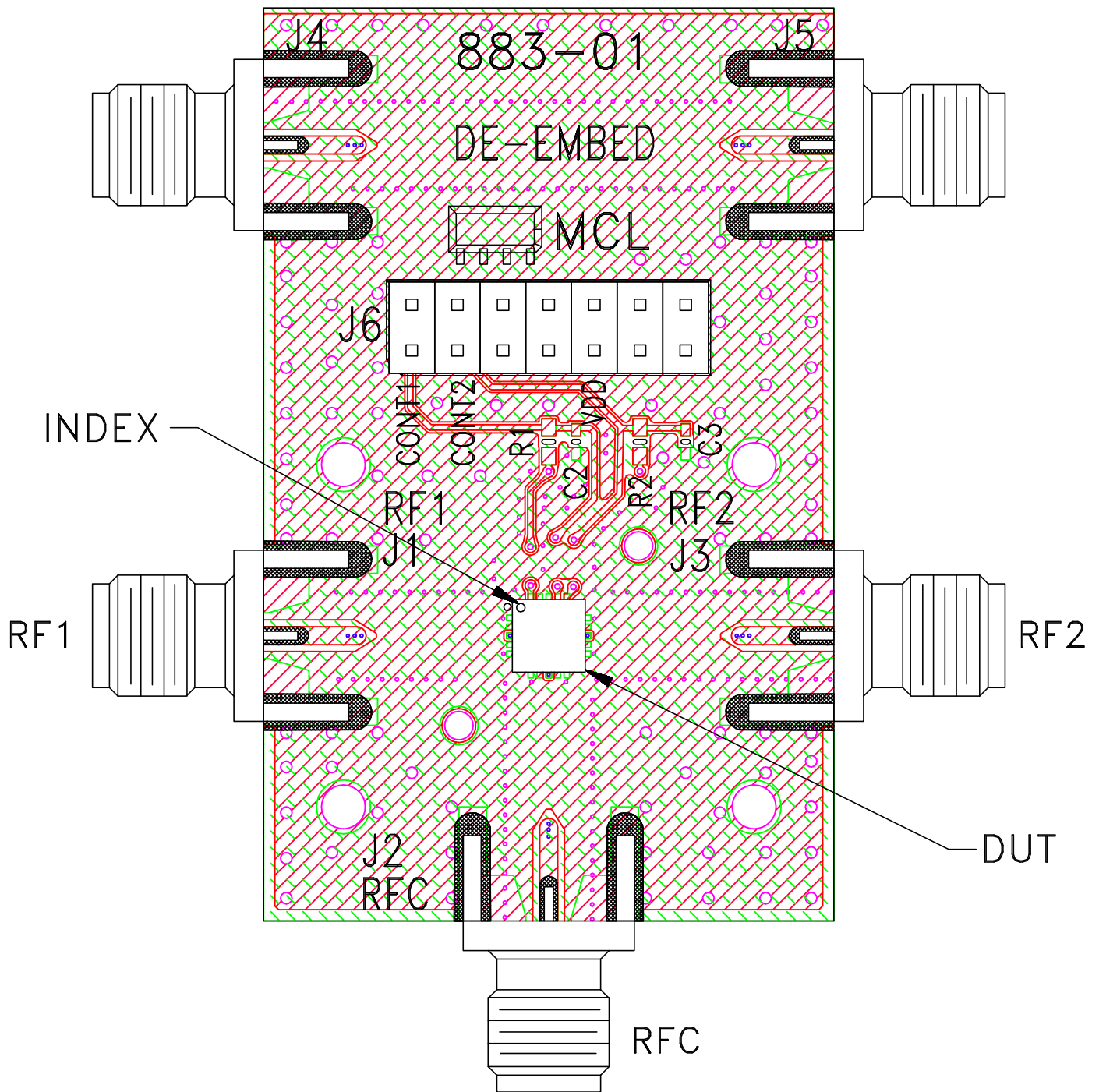



# Evaluation Board and Circuit



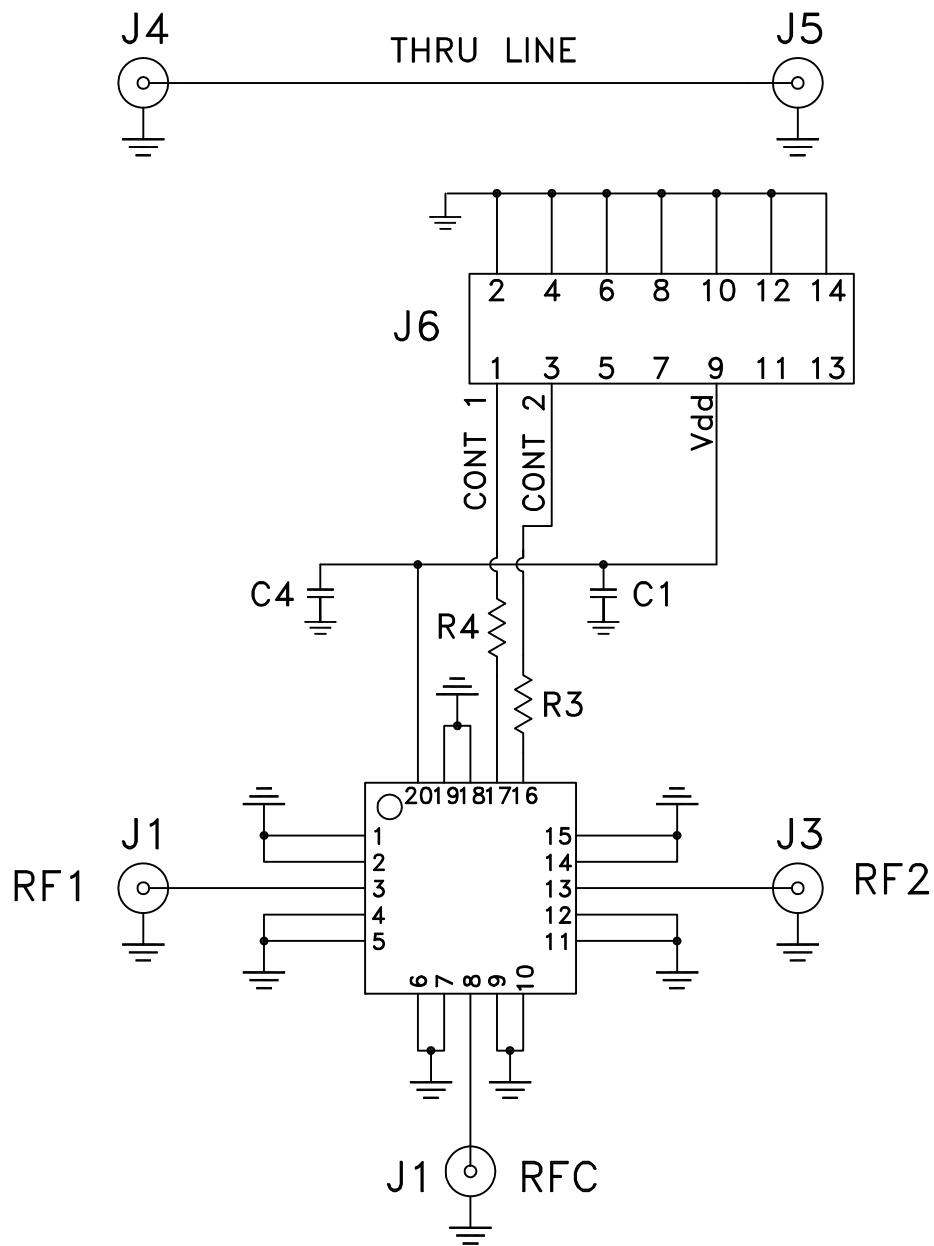
TB-919+

**Notes:**

1. 50 Ohm SMA Female connectors.
2. PCB Material: R04350 or equivalent,  
Dielectric Constant=3.5, Thickness=.037 inch.

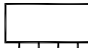
 **Mini-Circuits®**

# Evaluation Board and Circuit



COMPONENT	VALUE	SIZE
DUT	HSWA2-63DR+	4X4 MM
C1	0.1 uF	0402
C4	22 pF	
R3,R4	0 Ohm	

SCHEMATIC DIAGRAM

 Mini-Circuits®