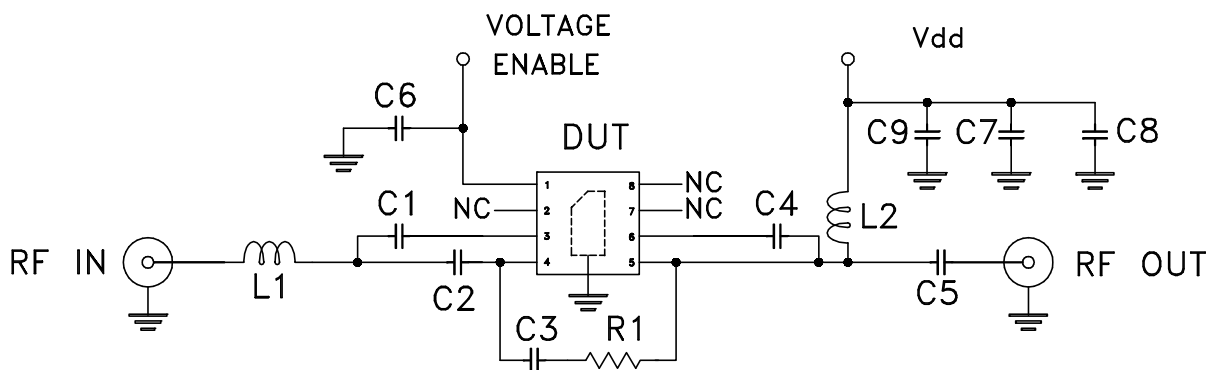
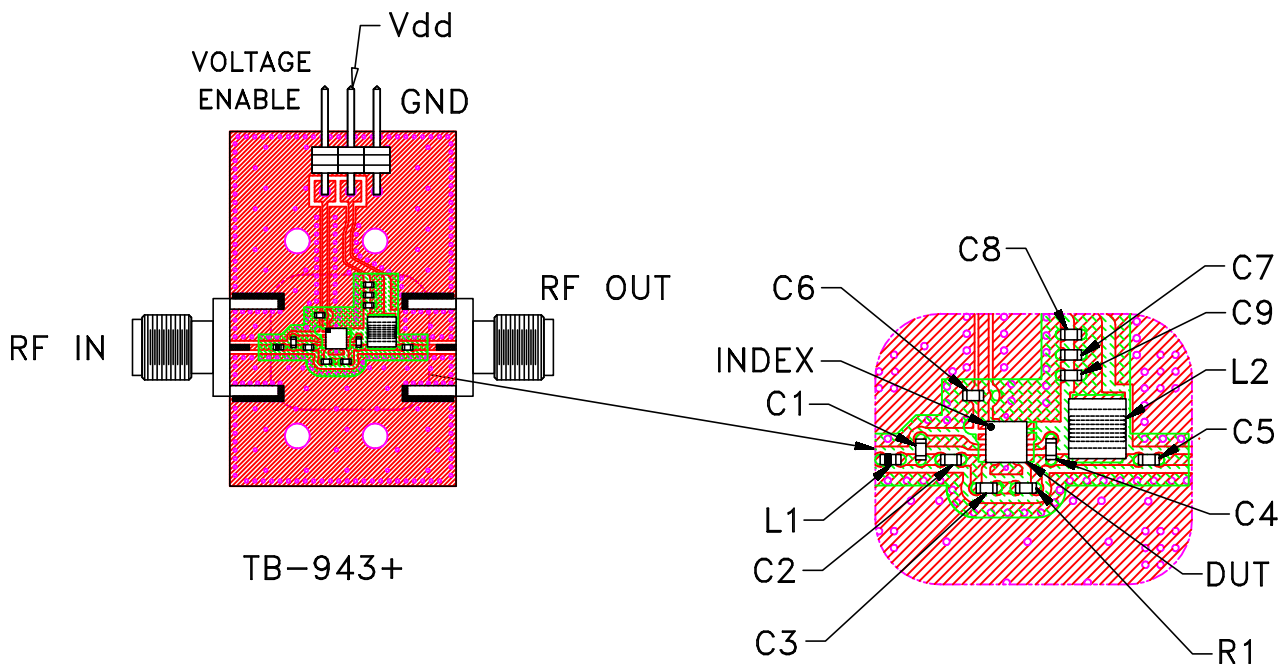


# Evaluation Board and Circuit




ITEM	DESCRIPTION	SIZE
C1-C8	CAP, 0,1 uF	.04"x02"
C9	CAP, 1000 pF	
R1	RES, 432 Ohm	
L1	IND, 3 nH	.115"x.110"
L2	IND, 1000 nH	
DUT	TSY-172LNB+	

Schematic Diagram

## NOTES:

1. SMA Female connectors.
2. PCB material: Rogers R04350 or equivalent, dielectric constant=3.5, dielectric thickness=.010 inch.

 **Mini-Circuits®**