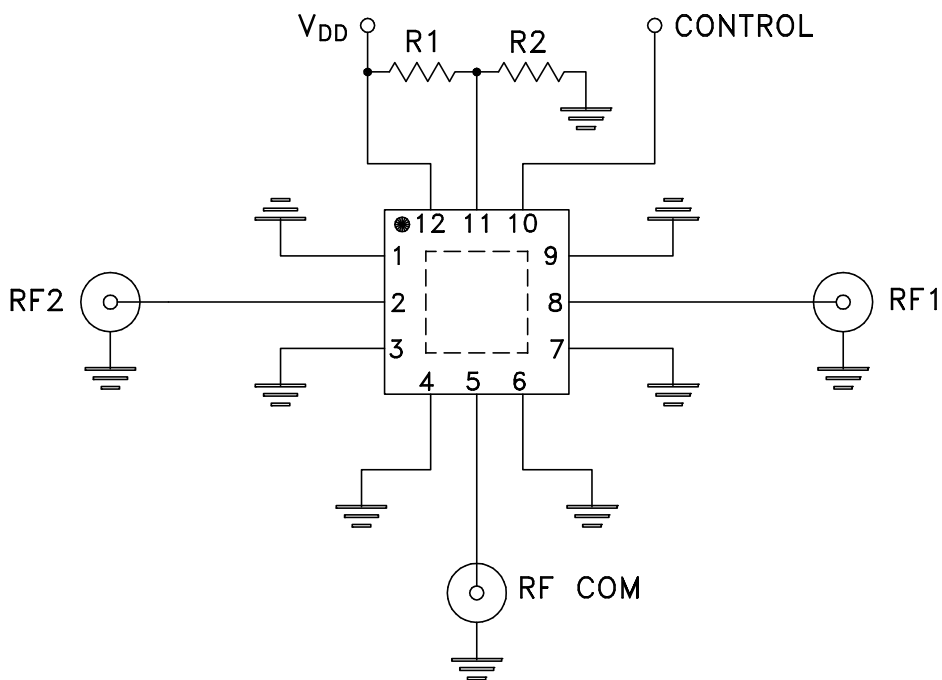
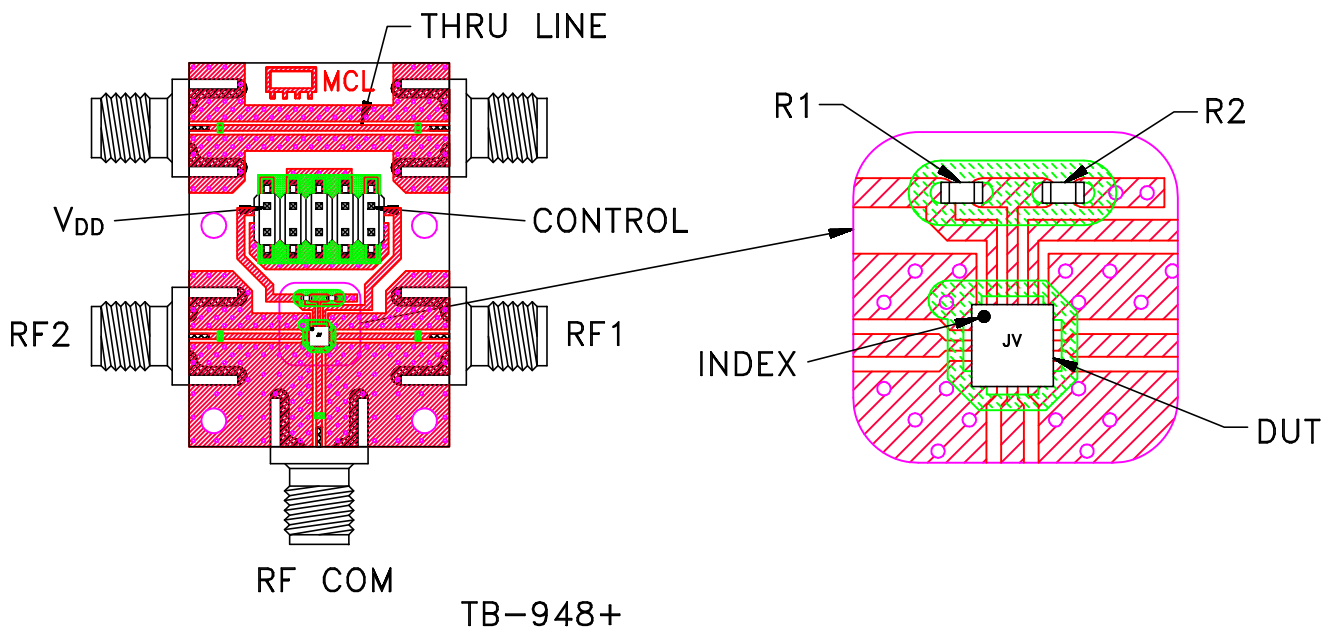


Evaluation Board and Circuit




COMPONENT	VALUE	SIZE
DUT	JSW2-63VHDRP+	2X2 MM
R1	Resistor 2.21 KOhm	0402
R2	Resistor 3.32 KOhm	

Schematic Diagram

Notes:

1. 50 Ohm SMA Female connectors.
2. PCB Material: R04350 or equivalent,
Dielectric Constant=3.5, Thickness=.010 inch.

 **Mini-Circuits®**