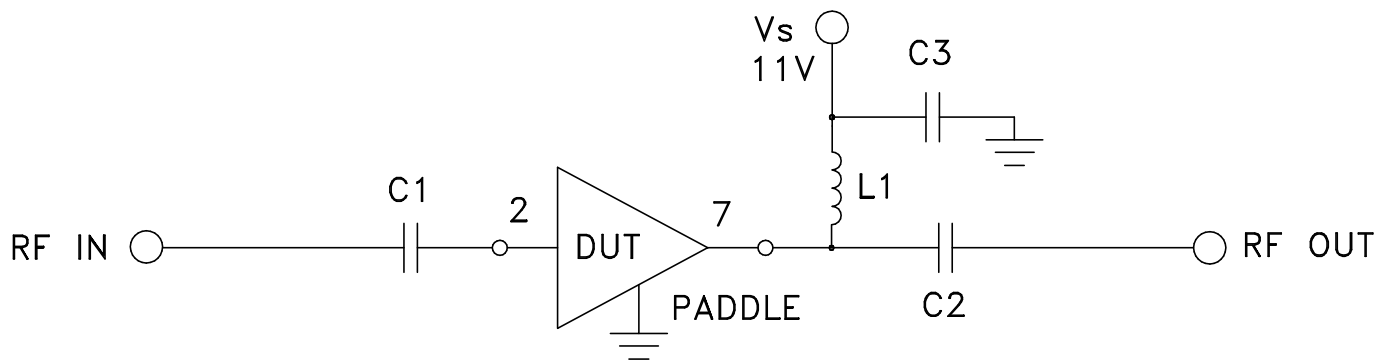
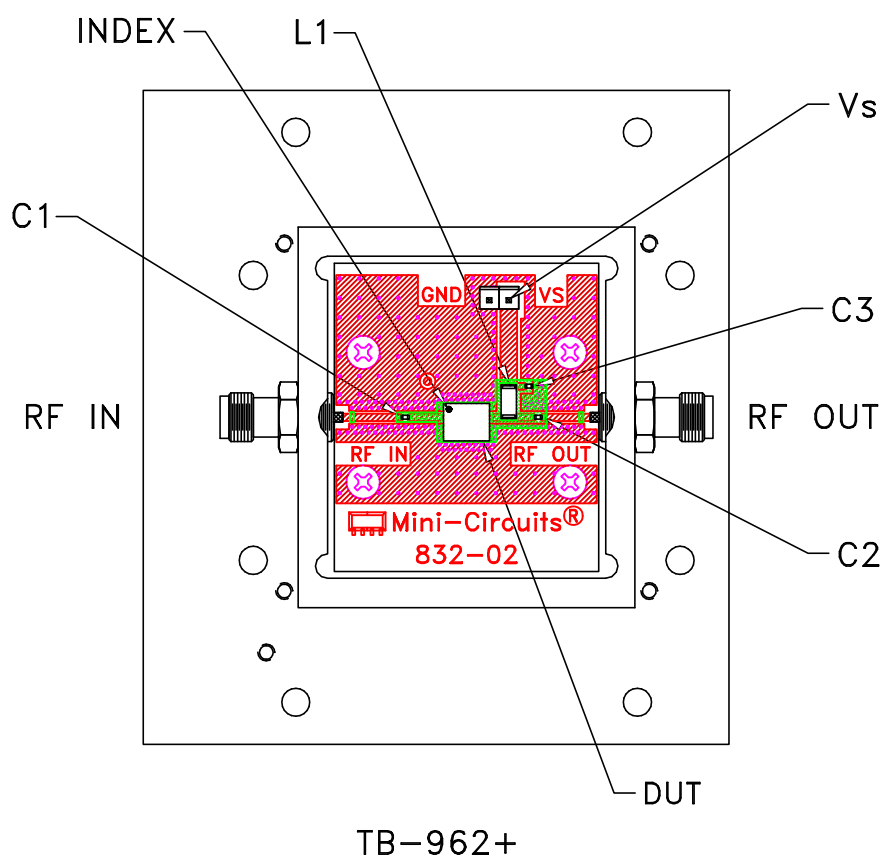


# Evaluation Board and Circuit



PINS 1,3-6 & 8 ARE NOT CONNECTED.

## Schematic Diagram

COMPONENT	VALUE	SIZE
DUT	PHA-202+	.236X.193"
C1,C2,C3	0.01uF	0.04X0.02"
L1	5.6 uH	0.17X.0.078"

## NOTES:

1. PCB material: Roger R04350B or equivalent, Dielectric constant=3.5, Thickness=.020inch
2. 50 ohm Female SMA connectors.



Mini-Circuits®

13 Neptune Avenue  
Brooklyn NY 11235