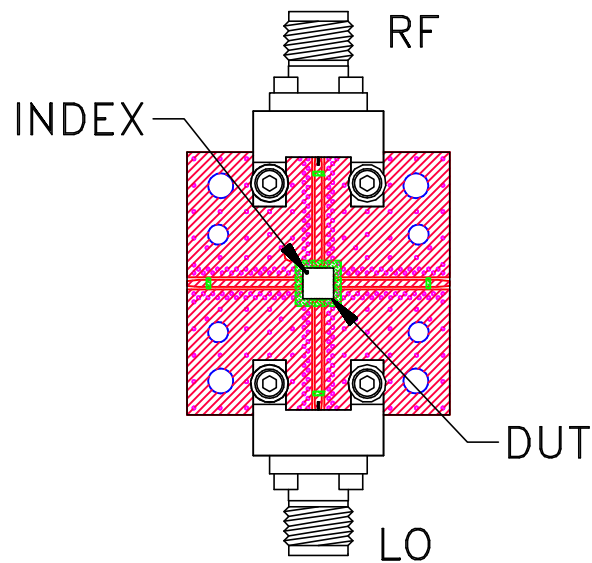
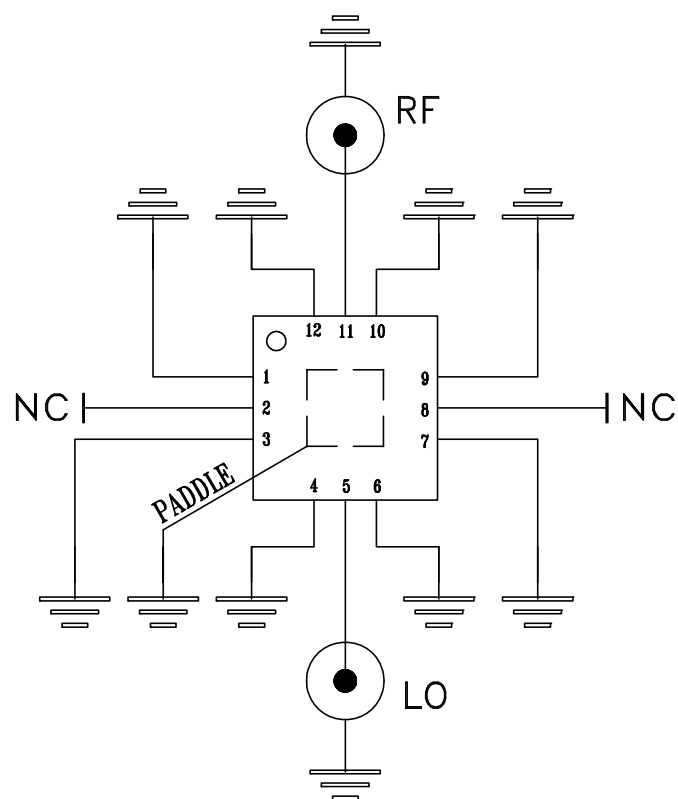


# Evaluation Board and Circuit




TB-973-CY2283C+



Schematic Diagram

## Notes:

1. 50 Ohm 2.92mm Female end launch connectors.
2. PCB Material: TLY-5 or equivalent,  
Dielectric Constant=2.2, Thickness=.010 inch.

 **Mini-Circuits®**