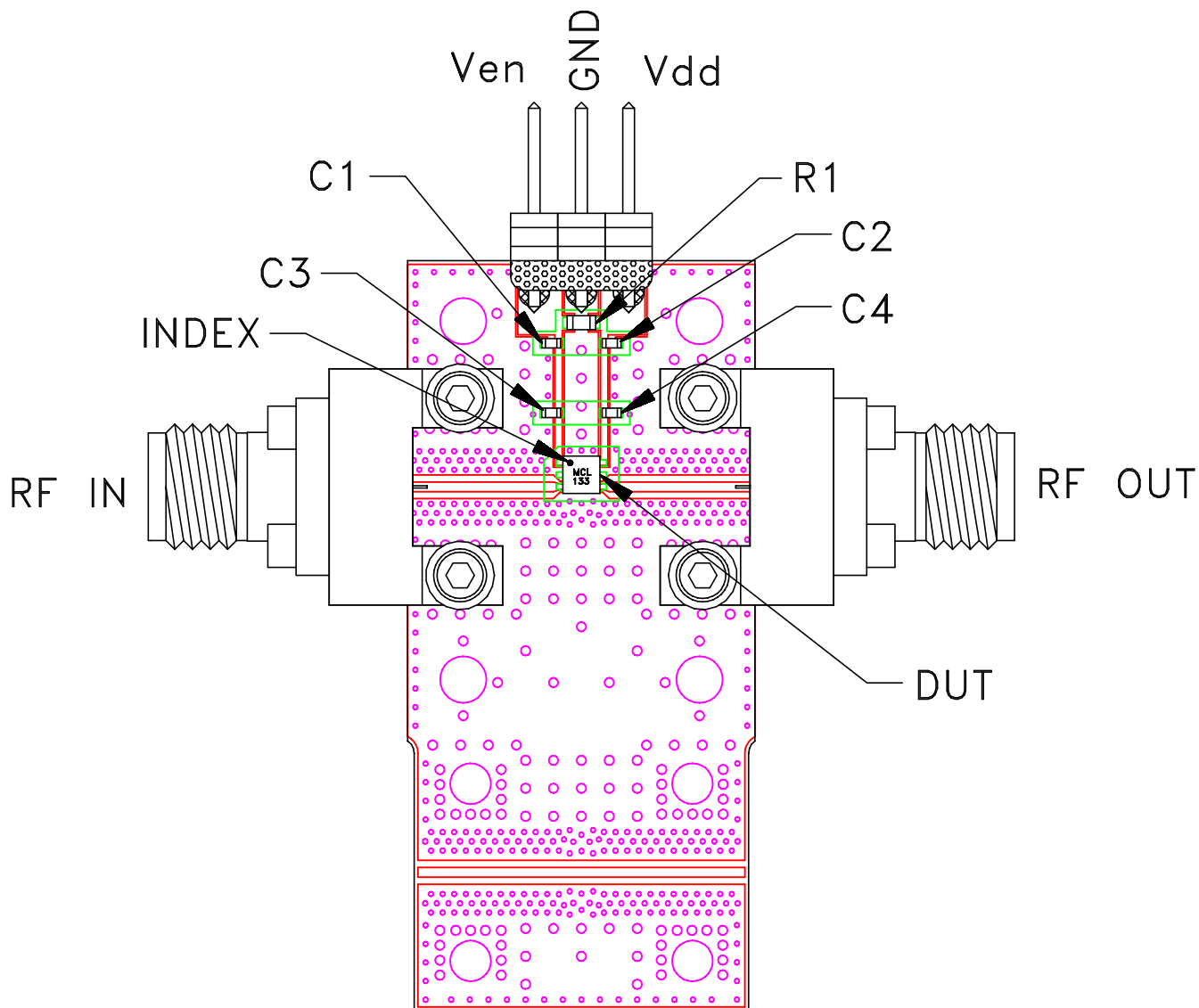
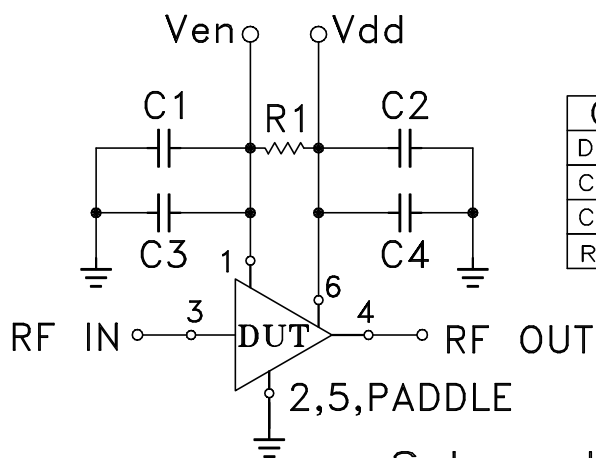


Evaluation Board and Circuit



TB-991+




COMPONENT	VALUE	SIZE
DUT	PMA2-133LN+	2X2 MM
C1,C2	0.1 uF	0402
C3,C4	100 pF	
R1	0 Ohm	0603

Schematic Diagram

Notes:

1. 50 Ohm SMA Female connectors.
2. PCB Material: R04350 or equivalent, Dielectric Constant=3.5, Thickness=.010 inch.

 **Mini-Circuits®**