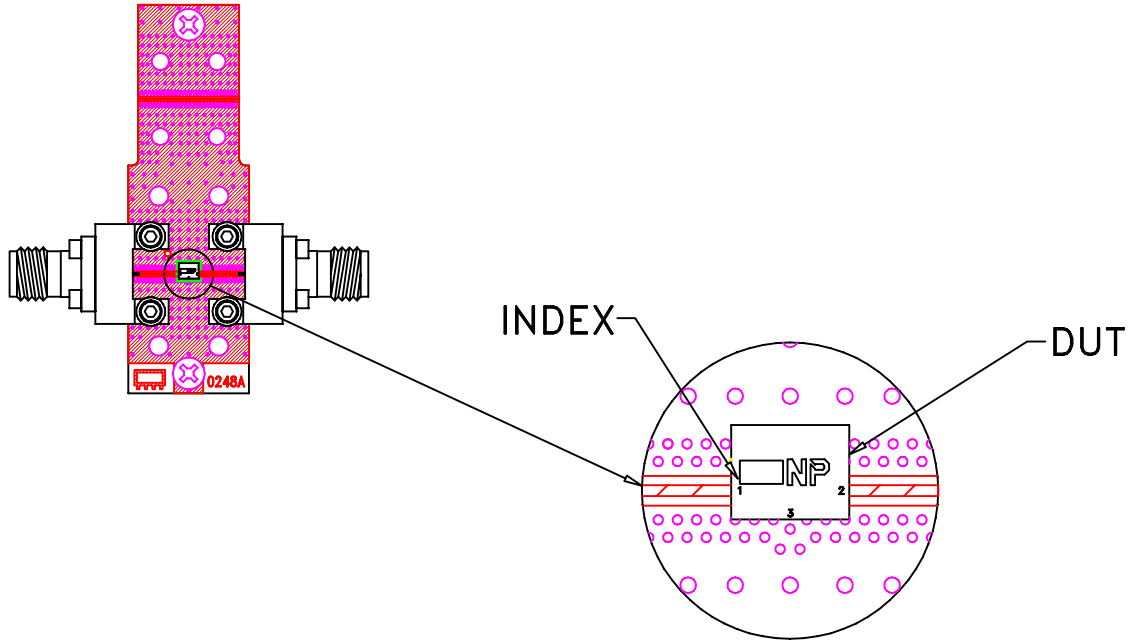
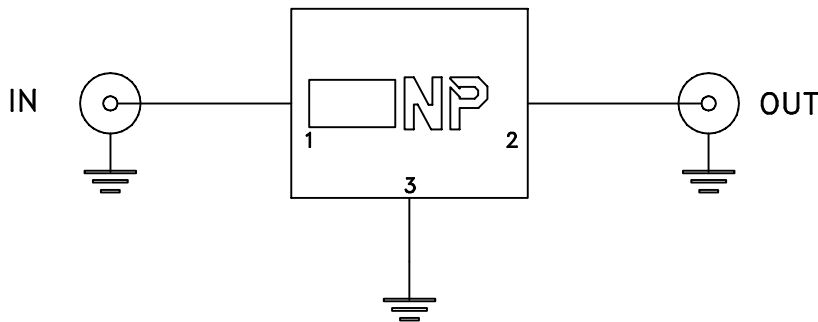


Evaluation Board and Circuit



TB-BFCQ-2552C+



Schematic Diagram

Notes:

1. 50 Ohm 1.85 Female connectors.
2. PCB Material: Megtron 7(N) or equivalent,
Dielectric Constant=3.4, Thickness=.005 inch.

 **Mini-Circuits®**