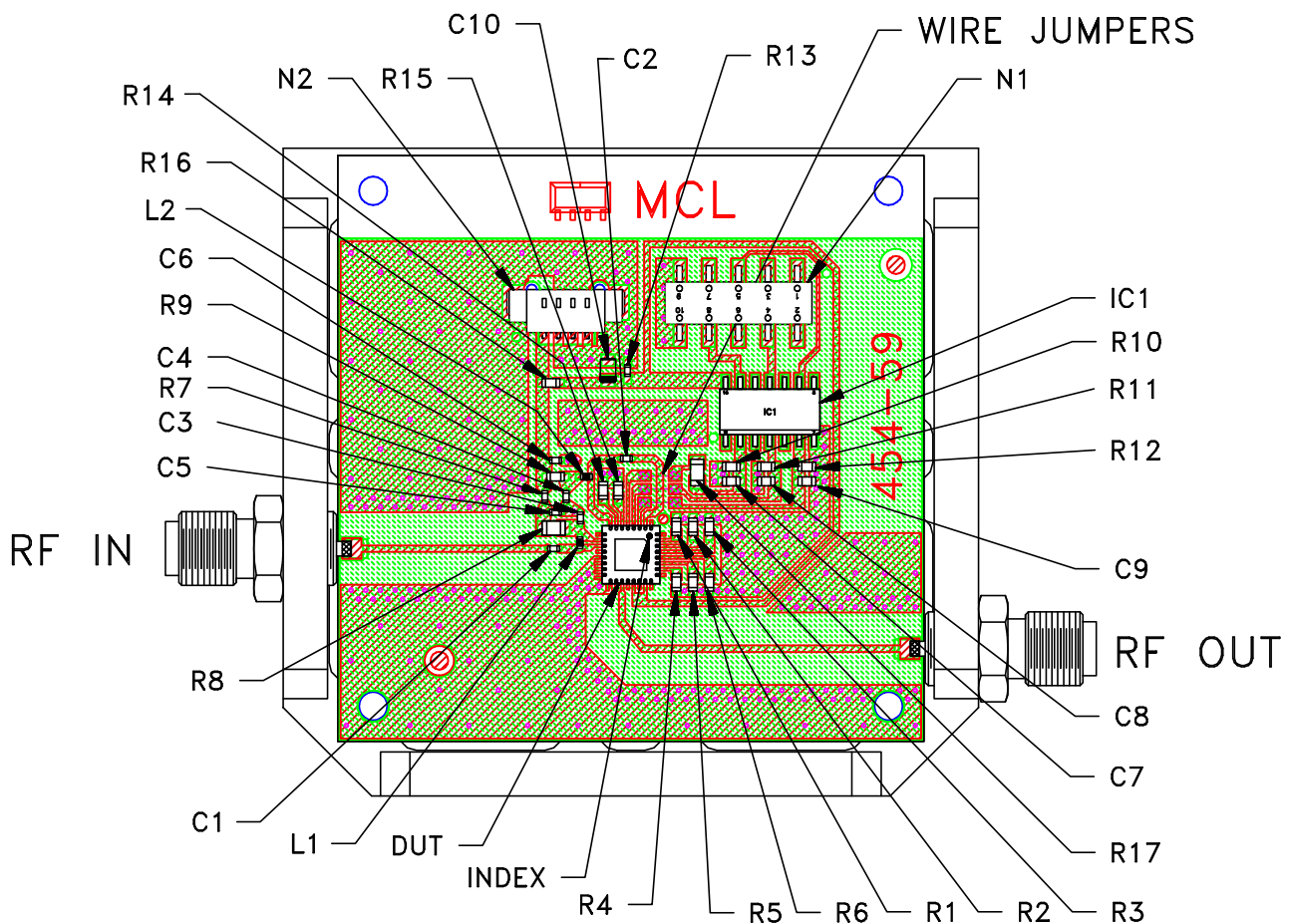


Evaluation Board and Circuit




TB-DVGA3-122+

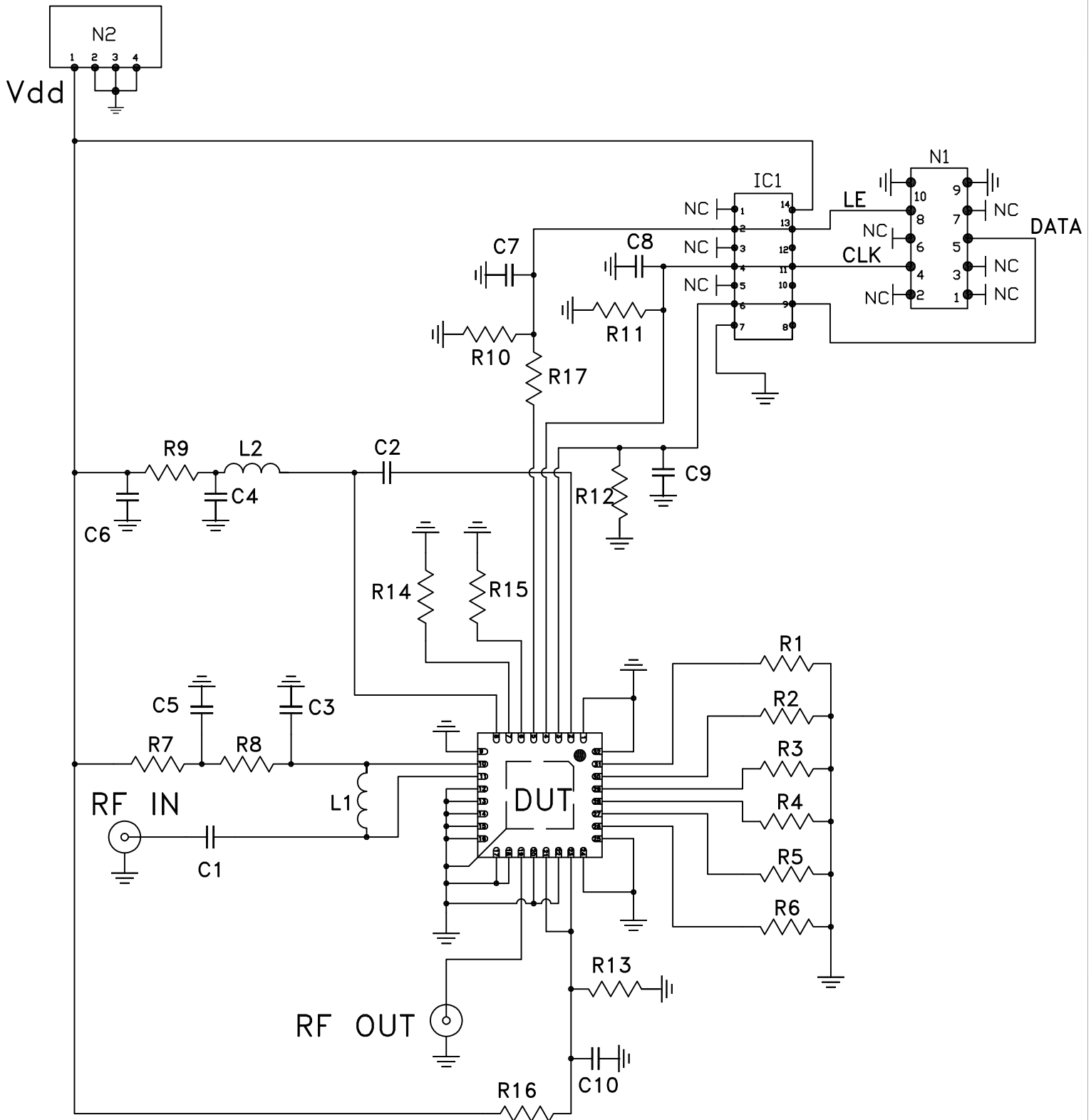
| COMPONENT | DESCRIPTION/VALUE | SIZE |
|---------------------|---------------------------------------|--------|
| DUT | AMPLIFIER DVGA3-122+ | 5X5 MM |
| IC1 | HEX INVERTING SCHMITT TRIGGER | - |
| N1 | VERTICAL BREAKAWAY HEADER 10 CIRCUITS | - |
| N2 | VERTICAL HEADER 4 CIRCUITS | - |
| C1,C2 | CAPACITOR 0.001 μ F | 0402 |
| C3,C4 | CAPACITOR 100 pF | 0402 |
| C5,C6 | CAPACITOR 4.7 μ F | 0603 |
| C7,C8,C9 | CAPACITOR 100 pF | 0603 |
| C10 | CAPACITOR 0.47 μ F | 0805 |
| R1-R6 | RESISTOR 10 K Ω m | 0603 |
| R7 | RESISTOR 5.11 k Ω m | 0402 |
| R8 | RESISTOR 49.9 Ω m | 0805 |
| R9 | RESISTOR 0 Ω m | 0603 |
| R10,R11,R12,R14,R15 | RESISTOR 10 K Ω m | 0603 |
| R17 | RESISTOR 10 K Ω m | 0805 |
| R13 | RESISTOR 681 Ω m | 0603 |
| R16 | RESISTOR 475 Ω m | 0603 |
| L1 | INDUCTOR 10 nH | 0402 |
| L2 | INDUCTOR 8.2 nH | 0402 |

Notes:

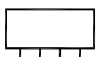
1. Test cables for connectors "N1 & N2" are included in TB-____+ package.
2. Test software "Digital Step Attenuator & DVGA" is available for download from Mini-Circuits website: http://www.minicircuits.com/support/software_download.html
3. 50 Ohm SMA Female connectors.
4. PCB Material: Rogers RO4350 or equivalent, Dielectric Constant=3.5, Thickness=.010 inch.

 Mini-Circuits®

Evaluation Board and Circuit



SCHEMATIC DIAGRAM

 Mini-Circuits®