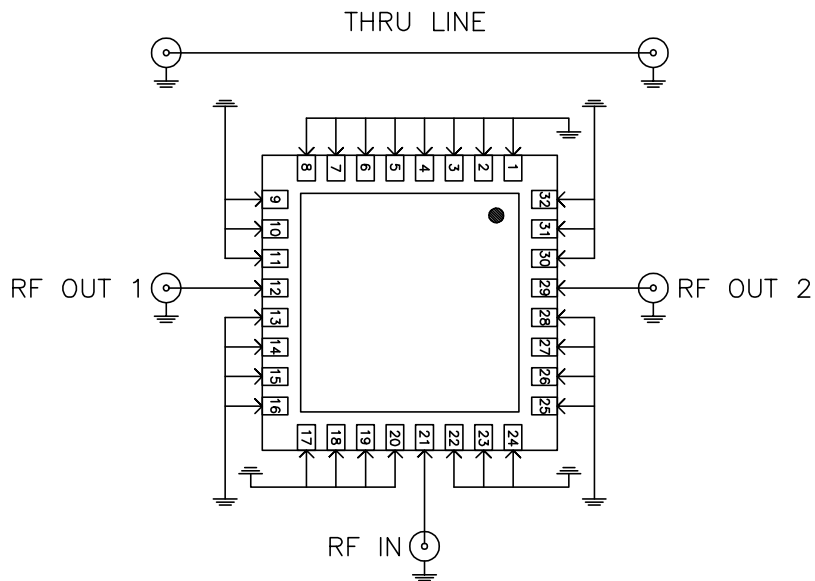
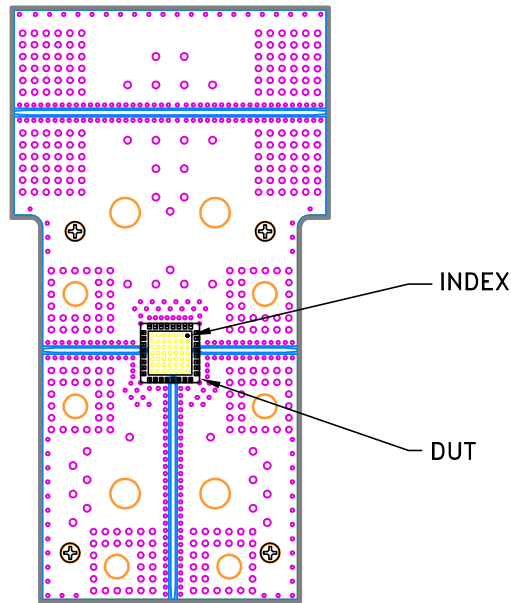


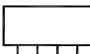
# Evaluation Board and Circuit



SCHEMATIC DIAGRAM  
(SCALE 5:1)

## Note:

1. PCB Material: Roger R04350B or equivalent,  
Dielectric constant=3.5, Thickness=0.010 inch

 **Mini-Circuits®**