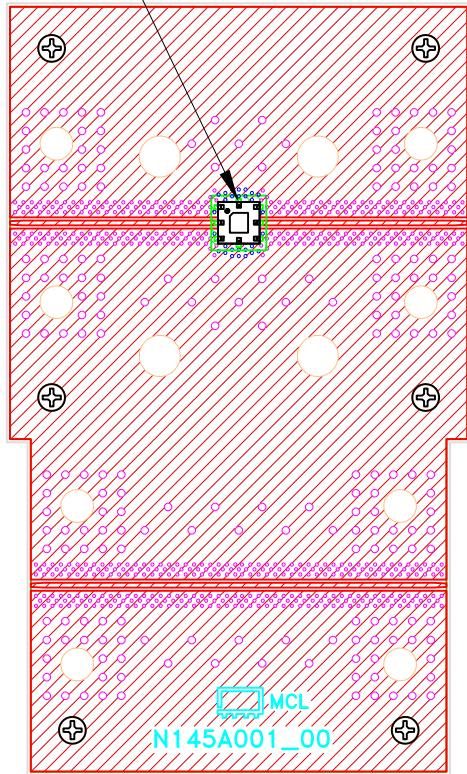
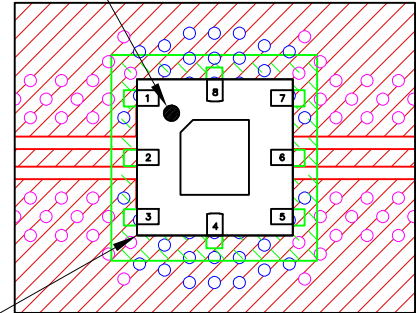


Evaluation Board and Circuit

SEE DETAIL "A"

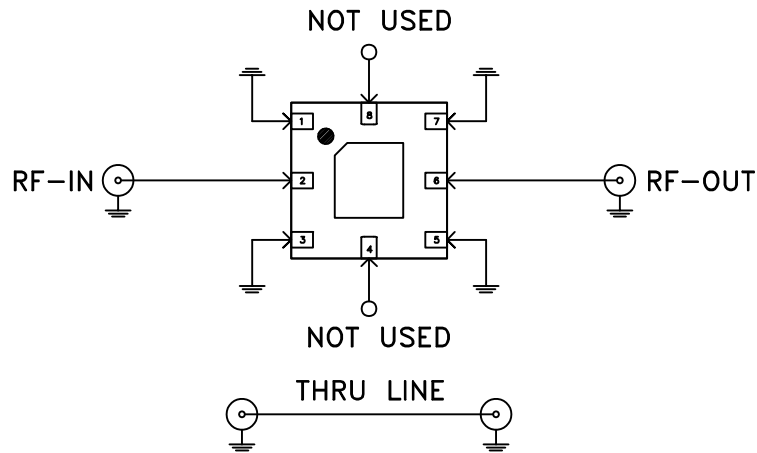


INDEX



DUT

DETAIL "A"
(SCALE 5:1)



SCHEMATIC DIAGRAM
(SCALE 5:1)

Function	Pad
RF-IN	2
RF-OUT	6
GND	1,3,5,7
NOT USED	4,8

Notes:

1. PCB Material: Roger R04350B or equivalent,
Dielectric constant=3.5, Thickness=0.0066 inch

 Mini-Circuits®