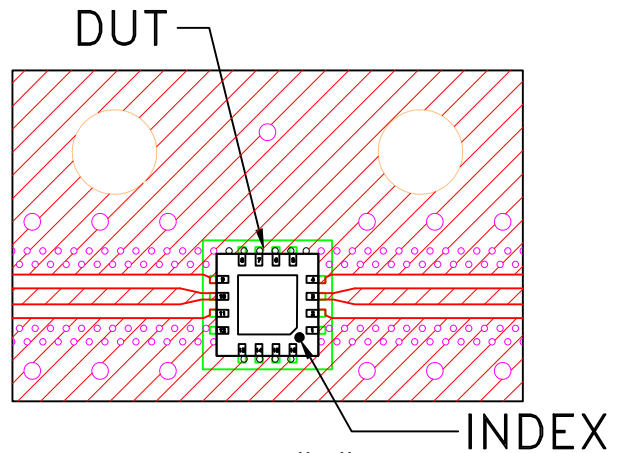
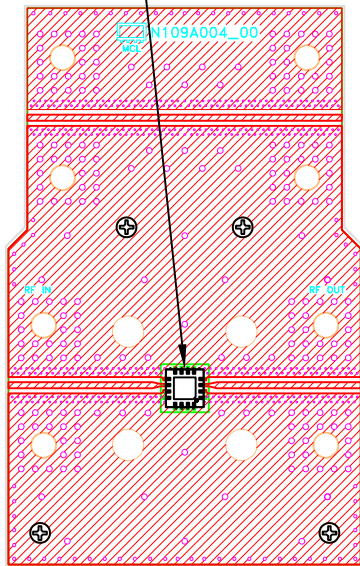
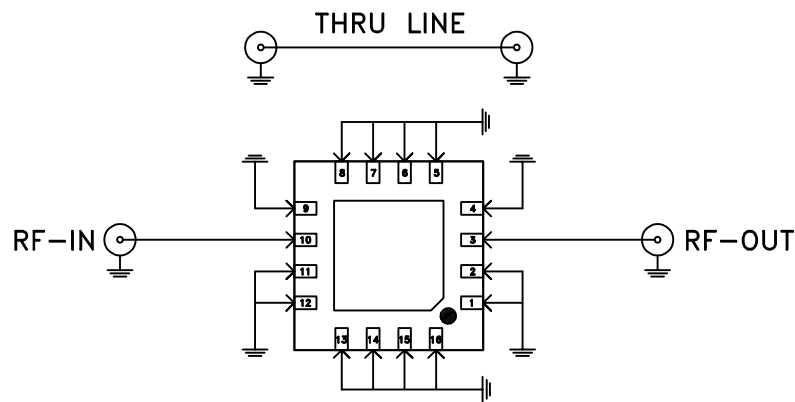


Evaluation Board and Circuit

SEE DETAIL "A"



DETAIL "A"
(SCALE 3:1)



SCHMATIC DIAGRAM

Function	Pad
RF-IN	10
RF-OUT	3
GND	2,4,9,11
NC,GND Externally	1,5,6,7,8,12, 13,14,15,16

Notes:

1. PCB Material: Roger R04350B or equivalent,
Dielectric constant=3.5, Thickness=0.010 inch