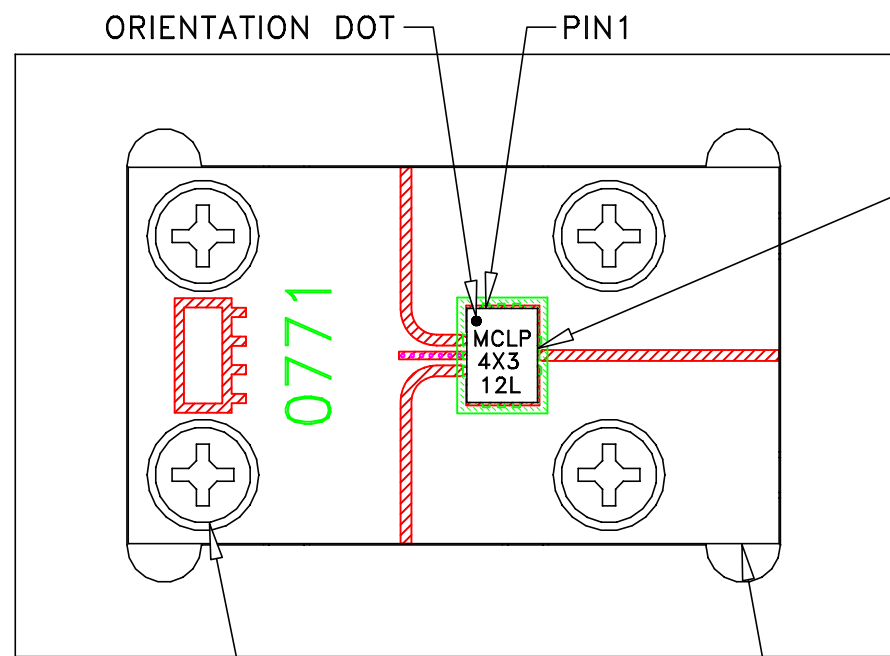


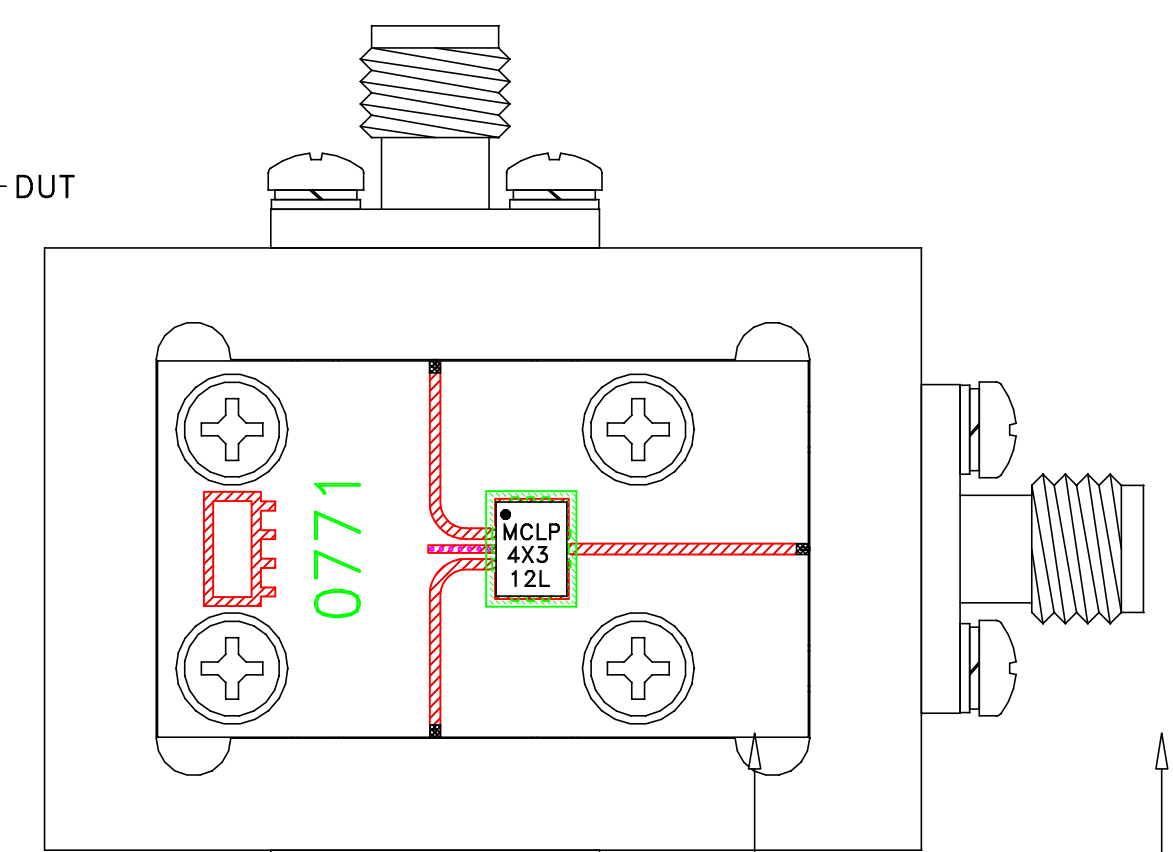
TOP VIEW
SOLDER PASTE DISPENSING

CARRIER PLATE



B18-DB-019+
B18-HB-002+
B18-JB-001+
4 PLCS

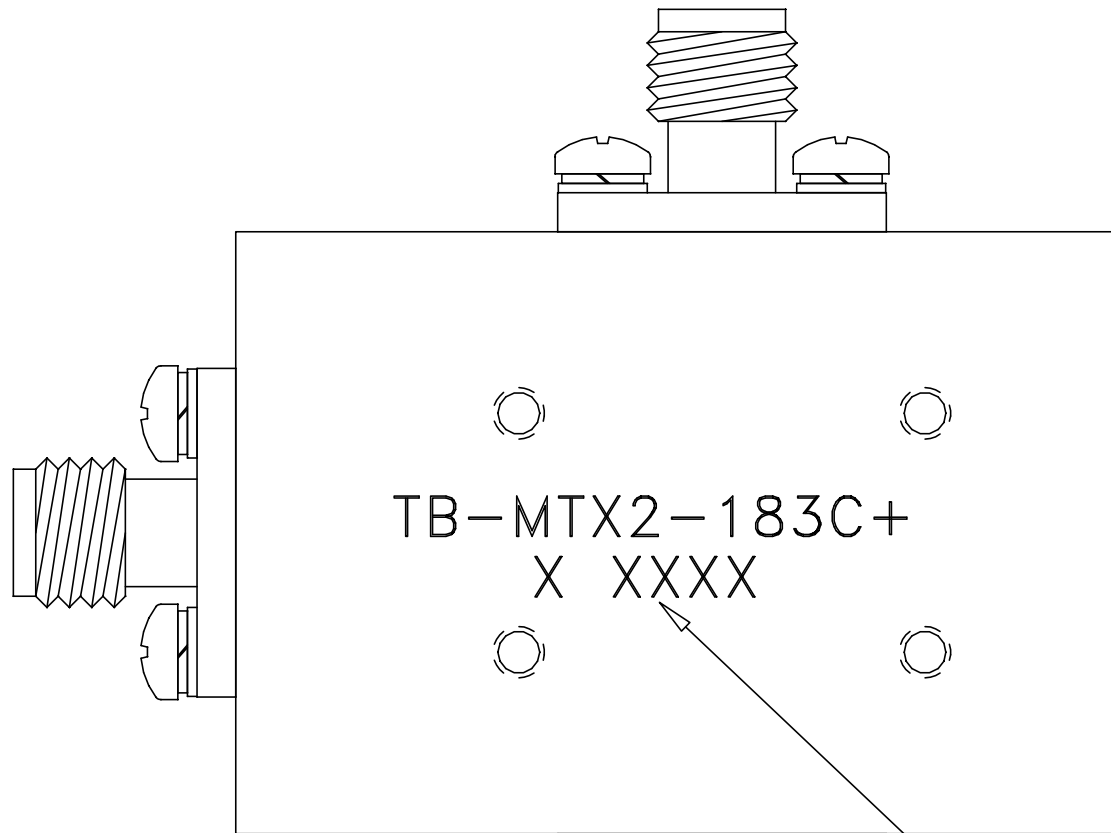
DUT, PCB INSTALLATION



B18-DB-019+
B18-HB-003+
B18-JK-001+
6 PLCS

CONN (3 PLCS)

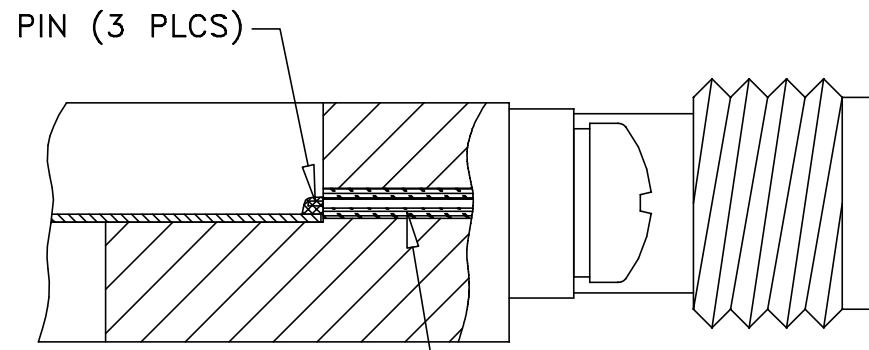
CONNECTORS INSTALLATION, SOLDERING



TB-MTX2-183C+
X XXXX

LASER MARKING

BOTTOM VIEW



VIEW "A-A"
(SCALE 5:1)

NOTE:

FOR ITEM DESCRIPTIONS REFER TO -09 PAGE.
DESIGNATION NUMBERS ON -20 PAGE CORRESPOND TO THE
NUMBERS ON -09 PAGE.

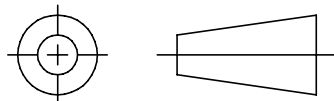


UNLESS OTHERWISE SPECIFIED	INITIALS	DATE
DIMENSIONS ARE IN INCHES		
TOLERANCES ON:		
2 PL DECIMALS ±	DRAWN IK	05/09/23
3 PL DECIMALS ±	CHECKED IL	05/09/23
ANGLES ±	APPROVED CM	05/09/23
FRACTIONS ±		

Mini-Circuits® 13 Neptune Avenue
Brooklyn NY 11235

TEST BOARD FOR MTX2-183C+ W/CONN

THIRD ANGLE PROJECTION



OR NPO-003538	NEW RELEASE	05/09/23	IK	CM
REV	ECN No.	DESCRIPTION	DATE	DR AUTH
		REVISIONS		

THIS DOCUMENT AND ITS CONTENTS ARE THE PROPERTY OF MINI-CIRCUITS.
EXCEPT FOR USE EXPRESSLY GRANTED, IN WRITING, TO ITS VENDORS, VENDEE
AND THE UNITED STATES GOVERNMENT, MINI-CIRCUITS RESERVES ALL PROPRIETARY
DESIGN, USE, MANUFACTURING AND REPRODUCTION RIGHTS THERETO.
THESE CONTENTS SHALL NOT BE USED, DUPLICATED OR DISCLOSED TO ANY OUTSIDE
PARTY, IN WHOLE OR IN PART, WITHOUT WRITTEN PERMISSION OF MINI-CIRCUITS.

BSHEETA1.DWG REV:A DATE:01/12/94

SIZE	CODE IDENT	DRAWING NO:	REV:
B	15542	TB-MTX2-183C-20+	OR
FILE:	SCALE:	SHEET:	
WTBMTX2-183C+	3:1	1 OF 1	