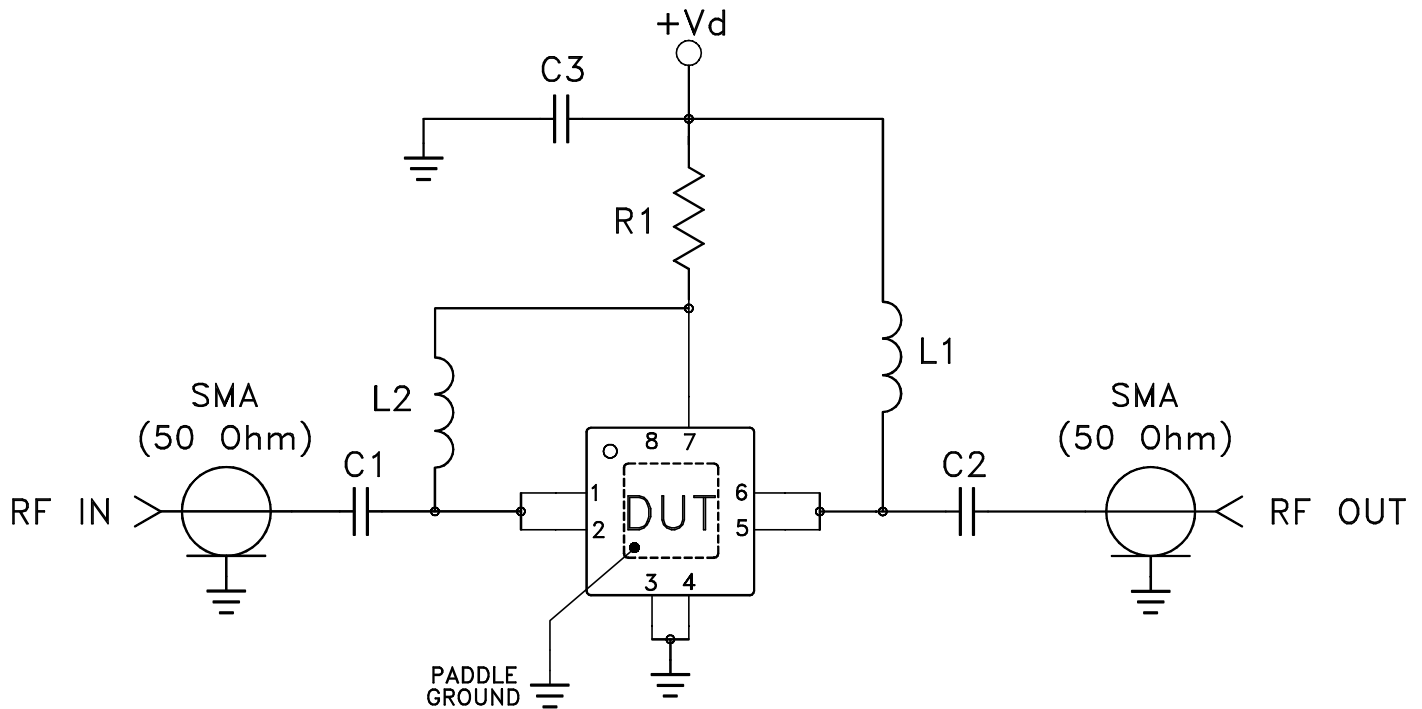
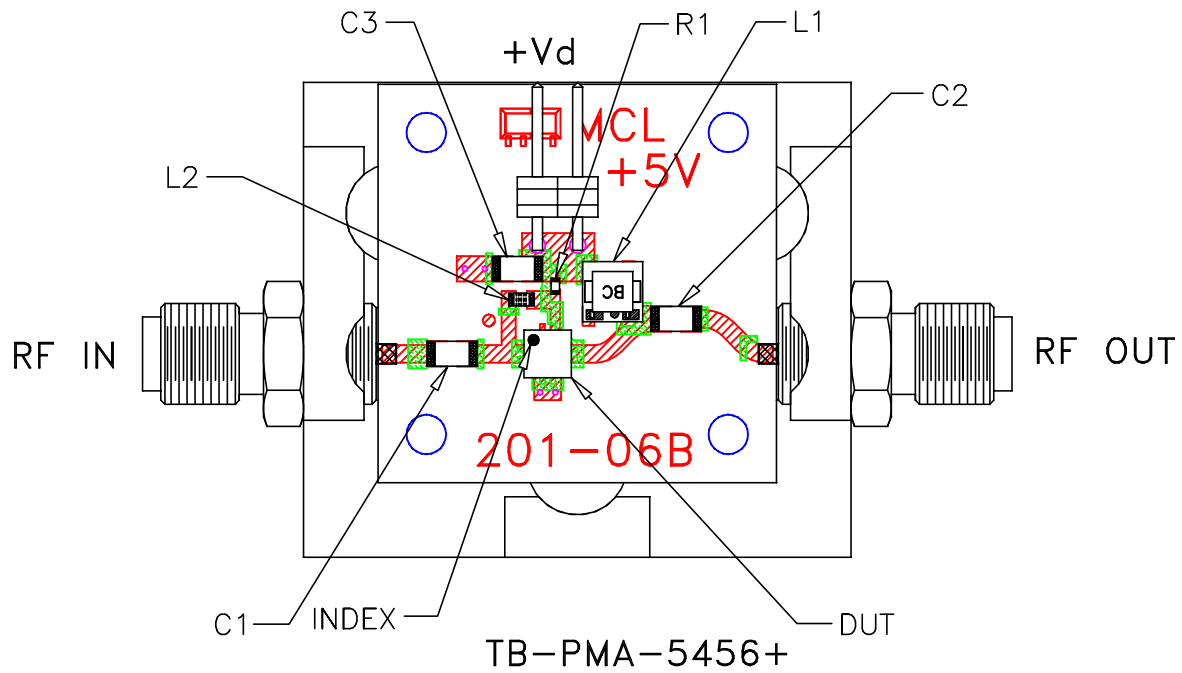


Evaluation Board and Circuit



| COMPONENT | VALUE/PART NUMBER |
|------------|-------------------------|
| DUT | Mini-Circuits PMA-5456+ |
| C1, C2, C3 | 0.1 μ F |
| L1 | Mini-Circuits TCCH-80+ |
| L2 | 390 nH |
| R1 | 1.69k Ohm |

Notes:

1. 50 Ohm SMA Female connectors.
2. PCB Material: RO4350 or equivalent,
Dielectric Constant=3.5, Thickness=.020 inch.

Mini-Circuits®