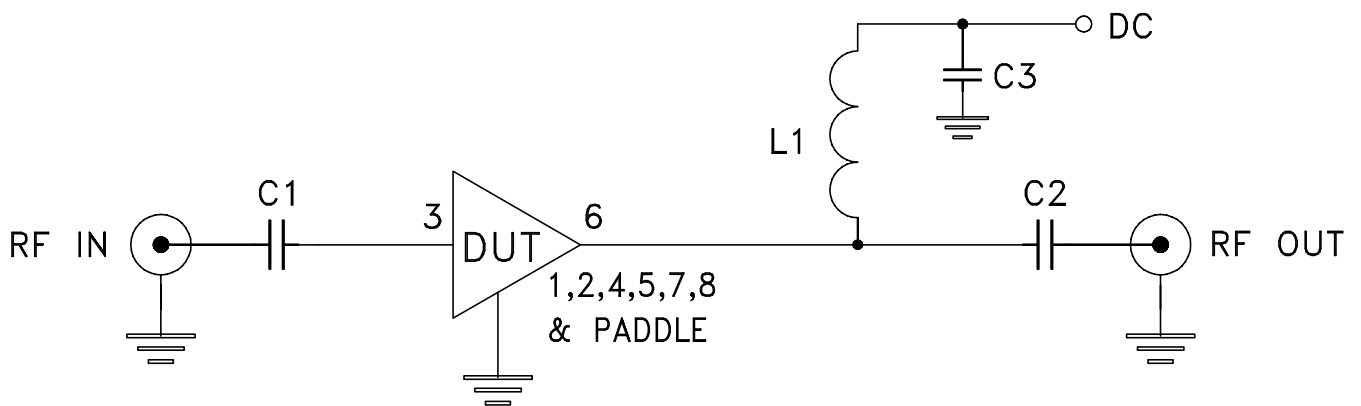
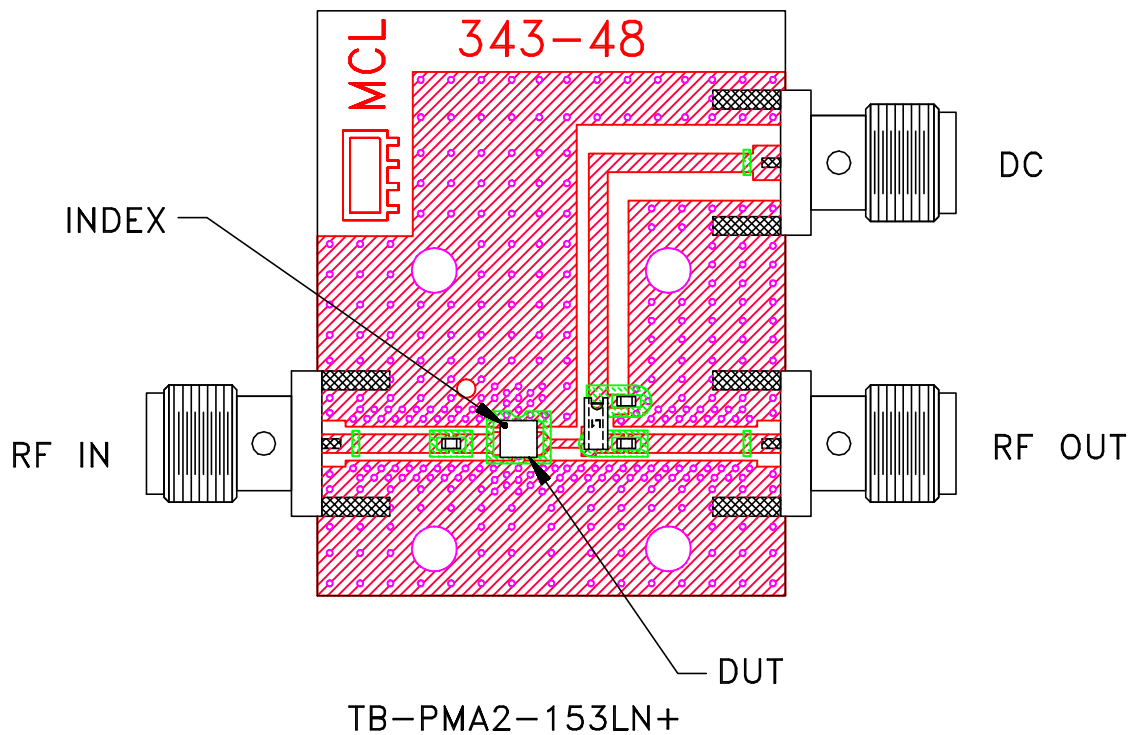


Evaluation Board and Circuit




ITEM	DESCRIPTION	SIZE
DUT	PMA2-153LN+	2X2 MM
C1,C2,C3	CAP, 0.1 uF	.04X.02
L1	IND, 0.84 uH	.11X.05

Schematic Diagram

Notes:

1. 50 Ohm SMA Female connectors.
2. PCB Material: R04350 or equivalent,
Dielectric Constant=3.5,
Thickness=.020 inch.

 **Mini-Circuits®**