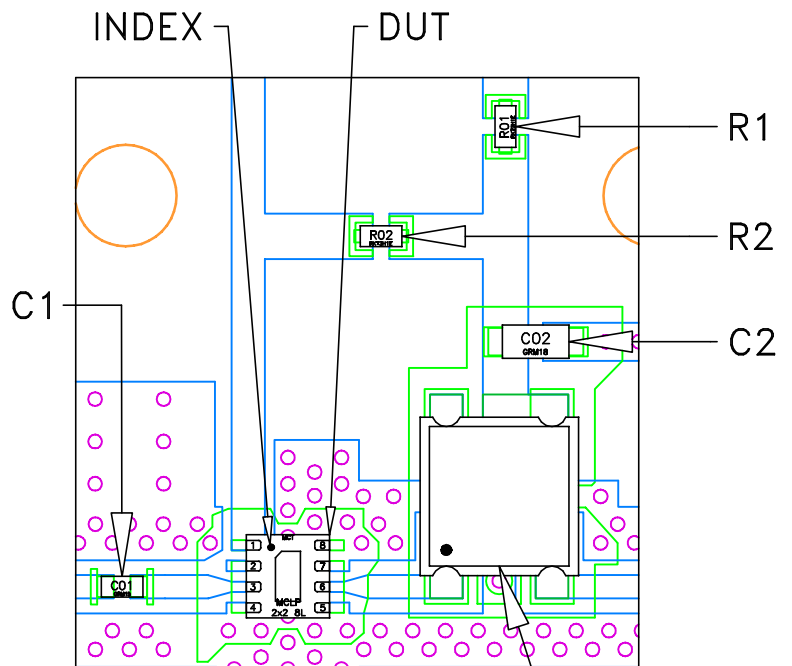
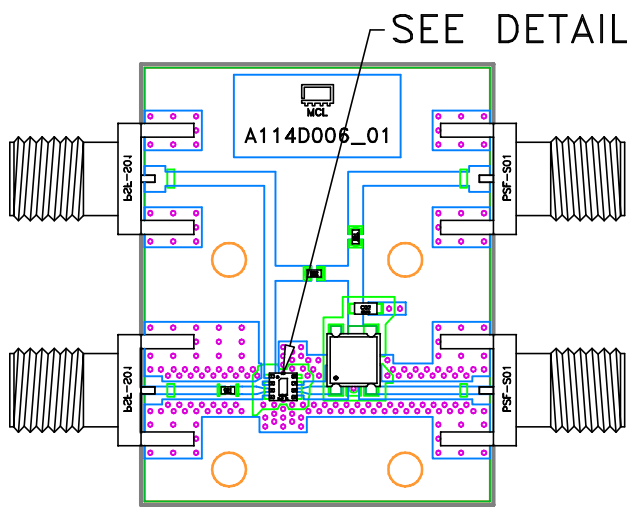
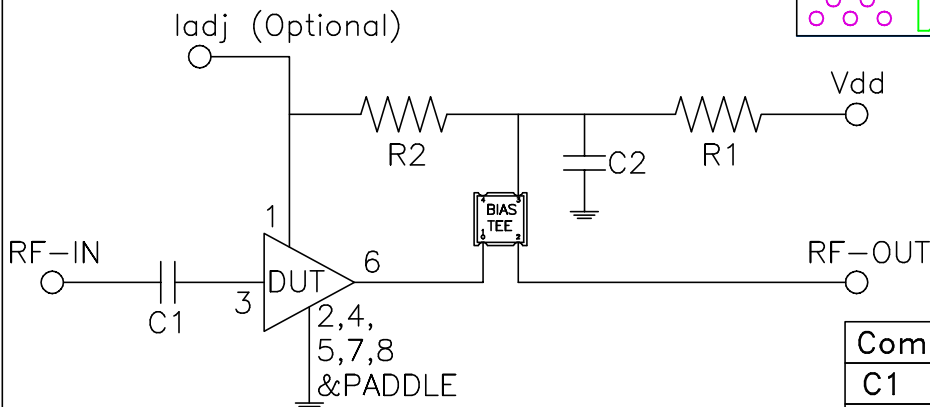


Evaluation Board and Circuit



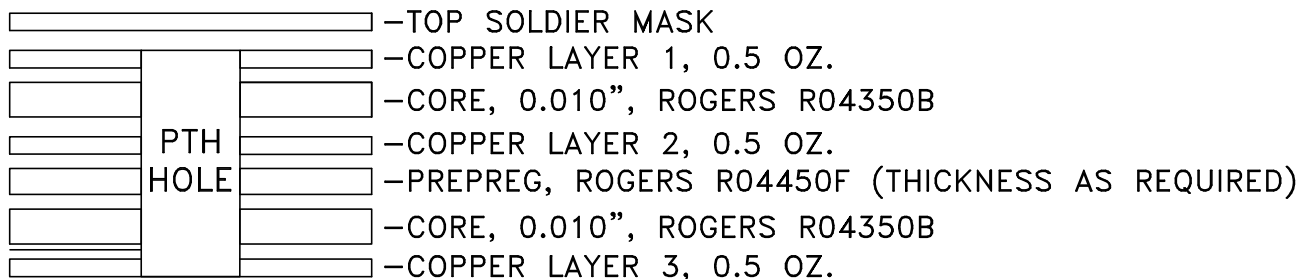
DETAIL "A" LOCATION OF COMPONENT ON THE PCB (SCALE 3:1)



Schematic Diagram

Component	Size	Description
C1	0402	0.1uF
C2	0603	0.01uF
R1	0402	68ohm
BIAS TEE	.15"x.15"	TCBT-123+
R2 (Not used)	0402	For current adjust purpose, refer to datasheet.

STACK-UP DIAGRAM



NOTES:

- 50 Ohm SMA Female Connectors.
- PCB Material: Roger R04350B or equivalent, Dielectric constant=3.5, Thickness=0.032 inch

Mini-Circuits®