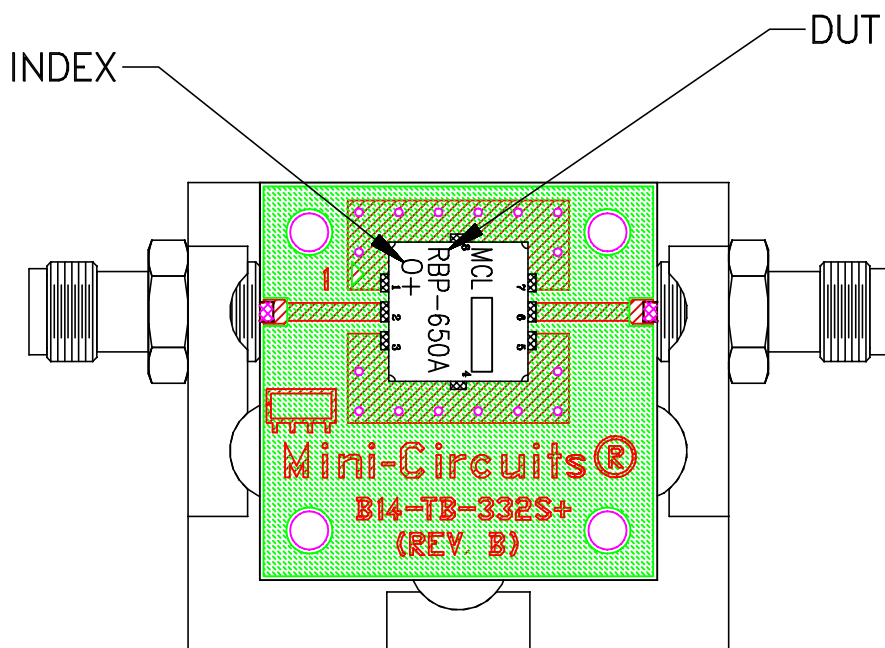
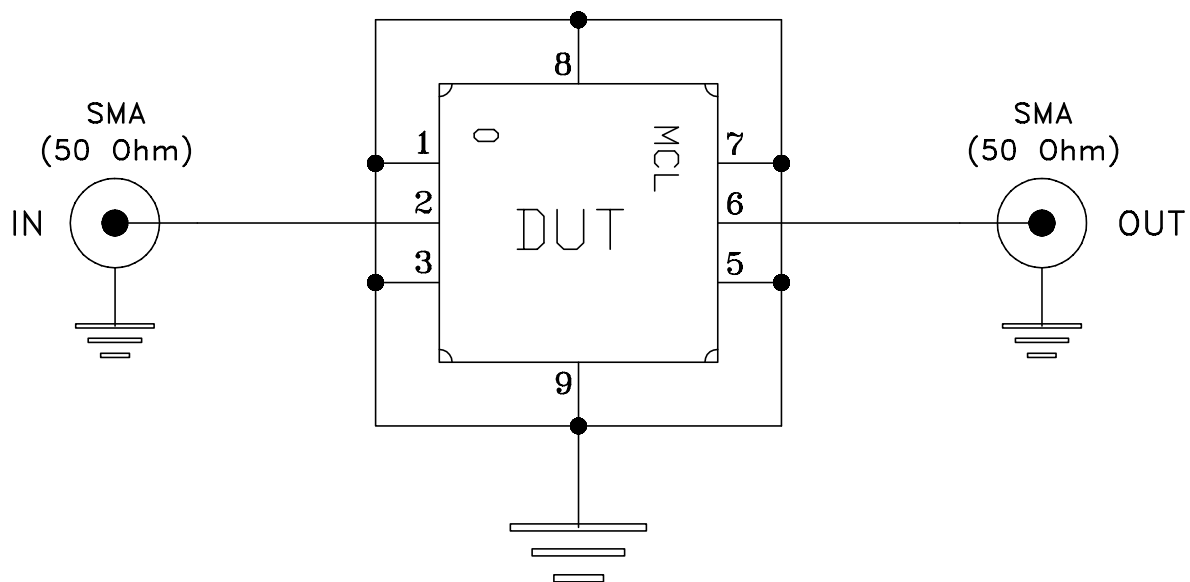


# Evaluation Board and Circuit




TB-RBP-650A+



Schematic Diagram

## Notes:

1. 50 Ohm SMA Female connectors.
2. PCB Material: RO4350 or equivalent,  
Dielectric Constant=3.5, Thickness=.020 inch.

 **Mini-Circuits®**