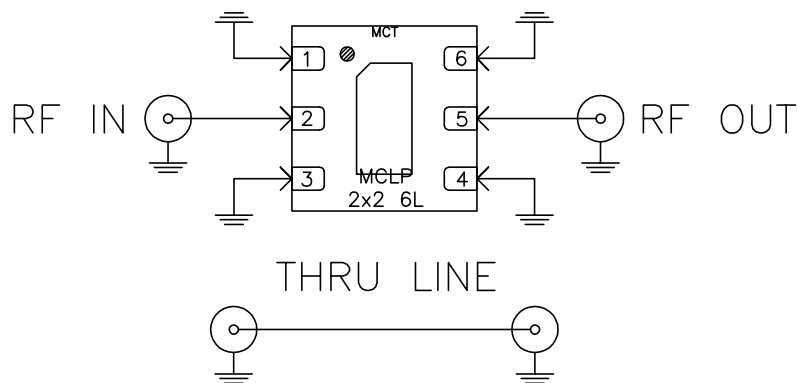
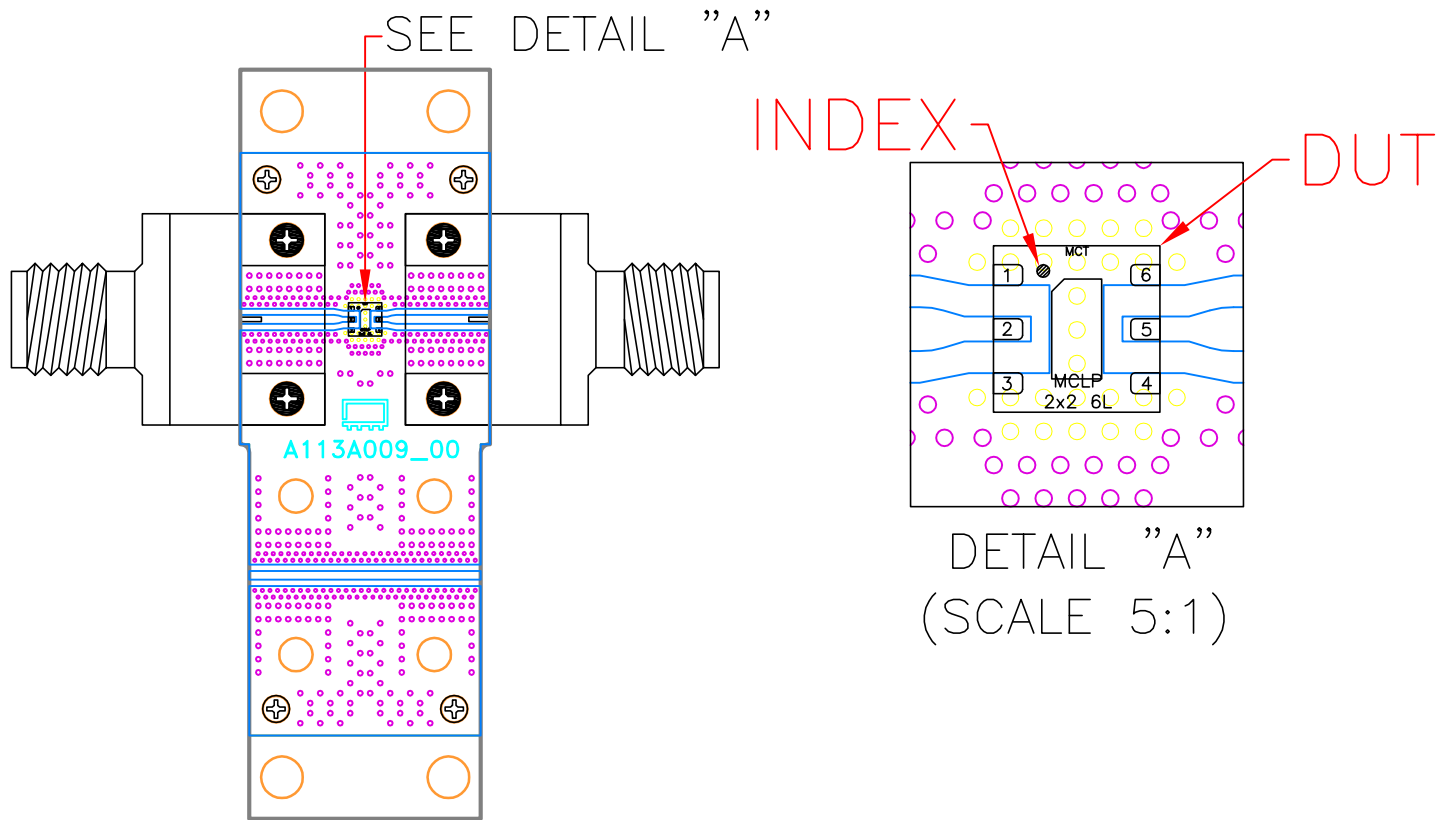


Evaluation Board and Circuit

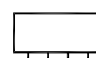


THRU LINE
SCHEMATIC DIAGRAM

Function	Pad
RF IN	2
RF OUT	5
GND	1,3,4,6

Notes:

1. 2.92mm Female Connectors.
2. PCB Material: Roger R04350B or equivalent,
Dielectric constant=3.5, Thickness=0.010 inch

 **Mini-Circuits®**