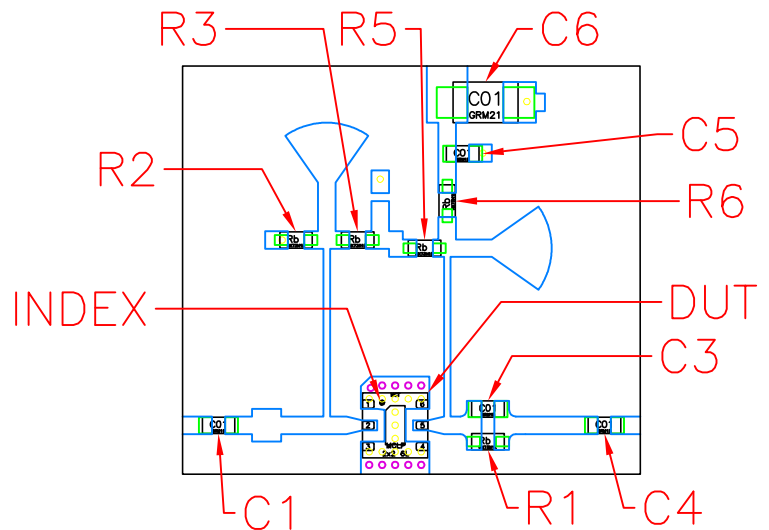
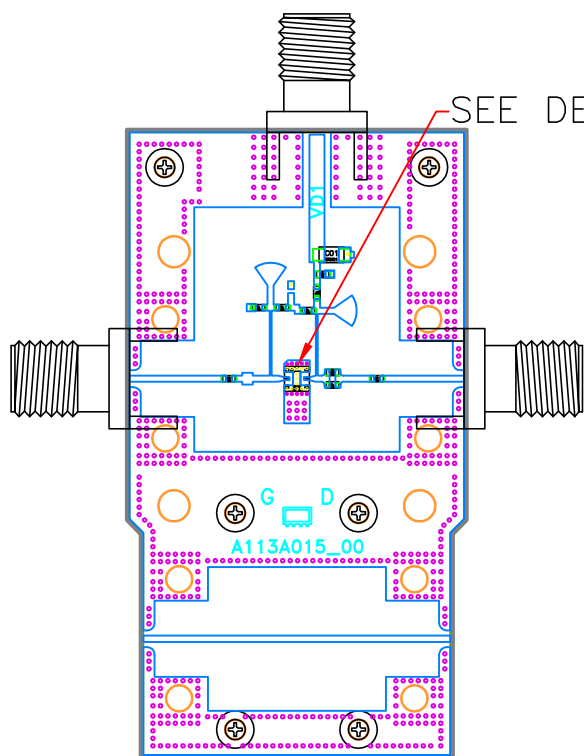
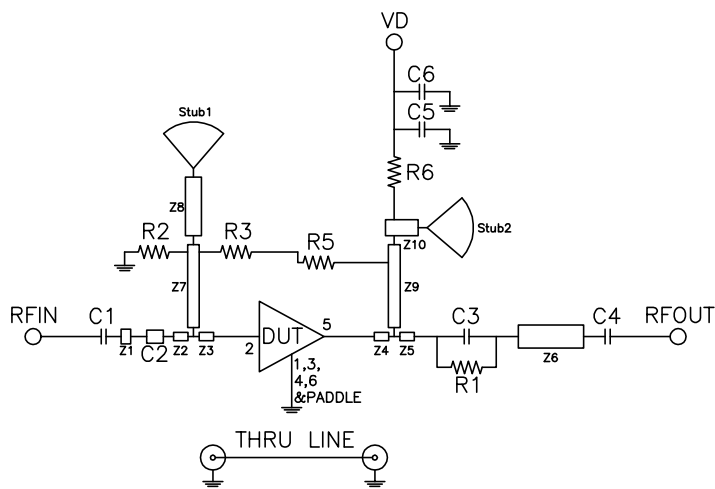


Evaluation Board and Circuit



DETAIL "A"
LOCATION OF INTERCONNECTOR
AND UNITS COMPONENTS
(SCALE 3:1)

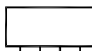


SCHEMATIC DIAGRAM

Notes:

1. SMA Female Connectors.
2. PCB Material: Roger R04350B or equivalent,
Dielectric constant=3.5, Thickness=0.010 inch

Component	Size	Value	Part Number	Manufacturer
C1	0402	1pF	GRM1555C1H1ROCA01D	Murata
C2		Low-Zc microstrip as 0.15pF shunt capacitor to GND (refer to PCB layout for dimensions)		
C3	0402	0.3pF	GJM1555C1HR30BB01D	Murata
C4	0402	1pF	GRM1555C1H1ROCA01D	Murata
C5	0402	3.3pF	GRM1555C1H3R3CA01D	Murata
C6	0805	1uF	GRM21BR71C105KA01L	Murata
R1	0402	330hm	RK73H1ETTP33R0F	Koa
R2	0402	5.6KOhm	RK73H1ETTP5601F	Koa
R3	0402	8.2KOhm	RK73H1ETTP8201F	Koa
R5	0402	4.7KOhm	RK73H1ETTP4701F	Koa
R6	0402	430hm	RK73H1ETTP43R0F	Koa
Stub1, Stub2		Radial stubs of length = 1.75mm, angle = 70 deg, input line width = 0.54mm		
Z1-Z10		Transmission-line matching elements, refer to PCB layout for physical dimensions		

 **Mini-Circuits®**