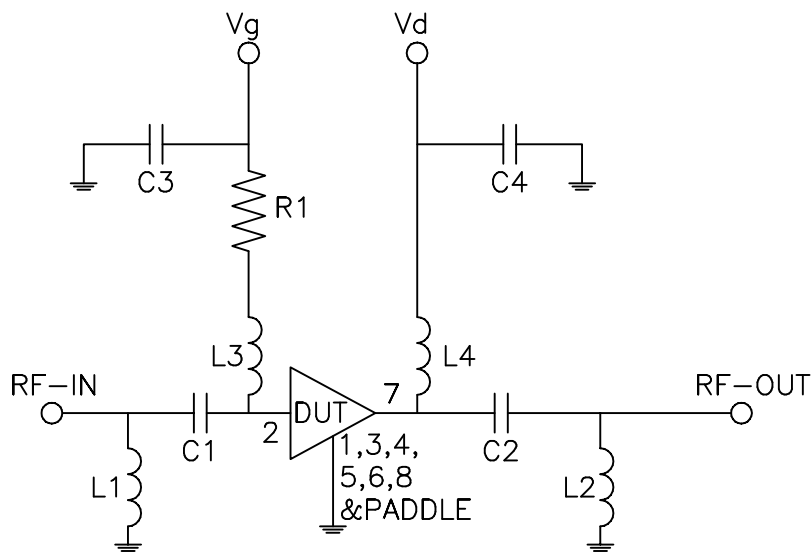
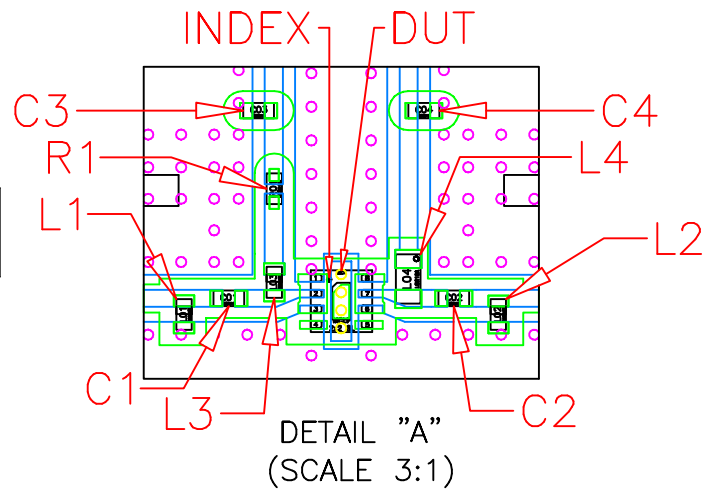
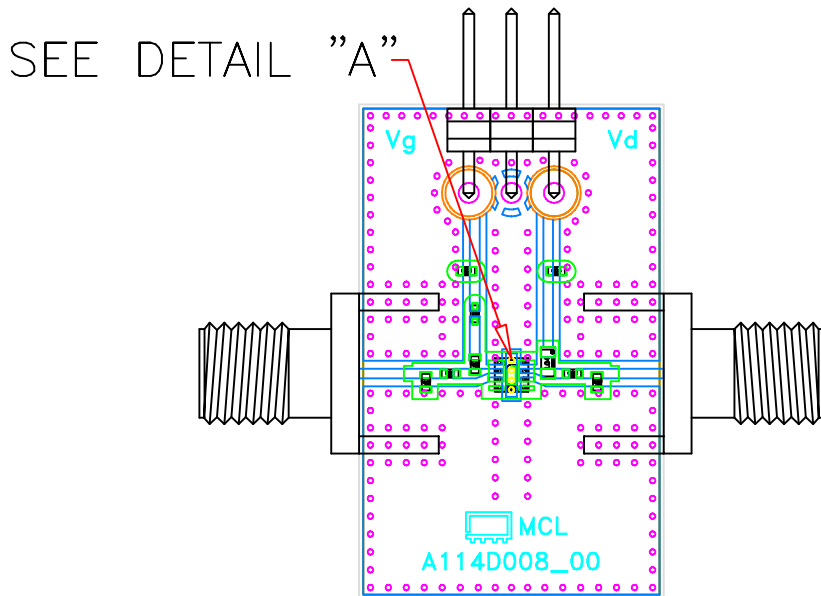


Evaluation Board and Circuit



SCHEMATIC DIAGRAM

Component	Size	Description
L1	0402	1.2nH
C1,C2	0402	2.4pF
L2	0402	1.5nH
L3	0402	15nH
R1	0402	15ohm
C3,C4	0402	2.2uF
L4	0603	47nH

Notes:

1. 50 Ohm SMA Female Connectors.
2. PCB Material: Roger R04350B or equivalent,
Dielectric constant=3.5, Thickness=0.010 inch

Mini-Circuits®