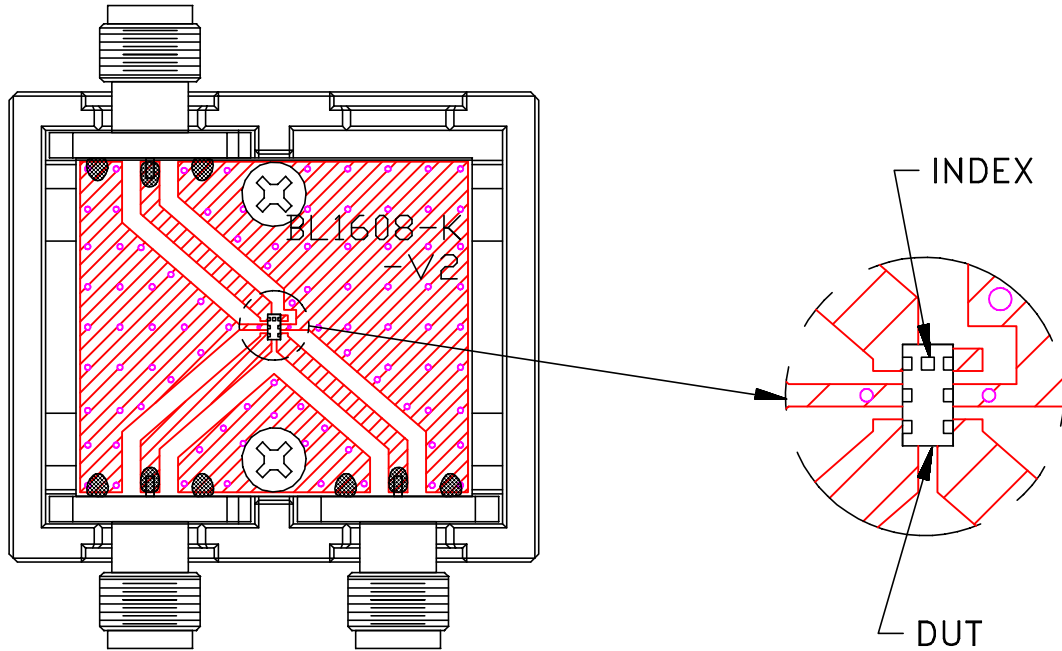


Evaluation Board and Circuit

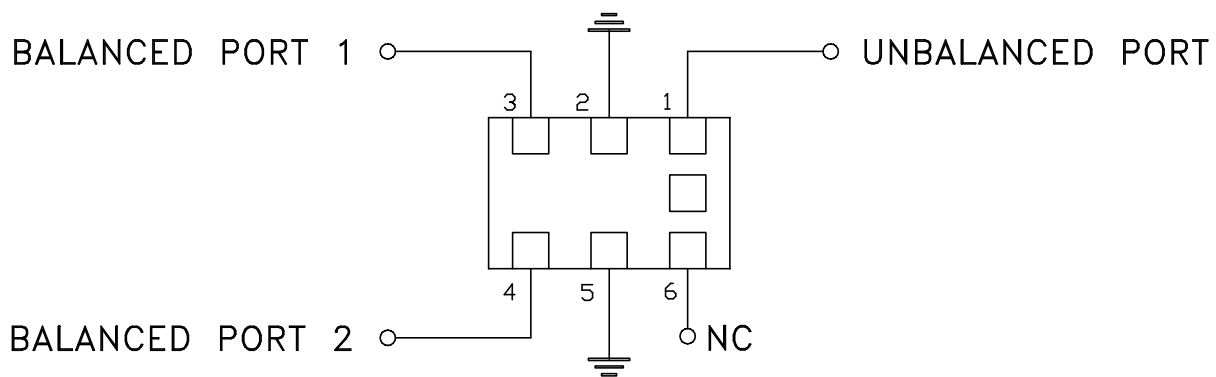
UNBALANCED PORT



BALANCED PORT 1 BALANCED PORT 2

TB-TCW4-582+

OR DC FEED+GND



Schematic Diagram

Notes:

1. 50 Ohm SMA Female connectors.
2. PCB Material: R04233 or equivalent,
Dielectric Constant=3.5, Thickness=.020 inch.

