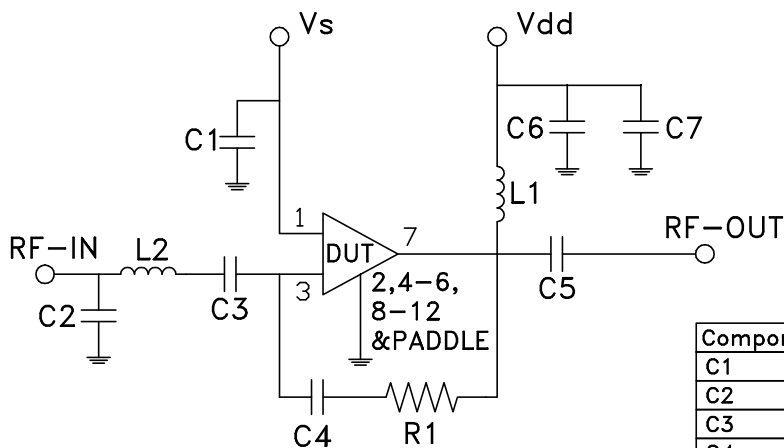
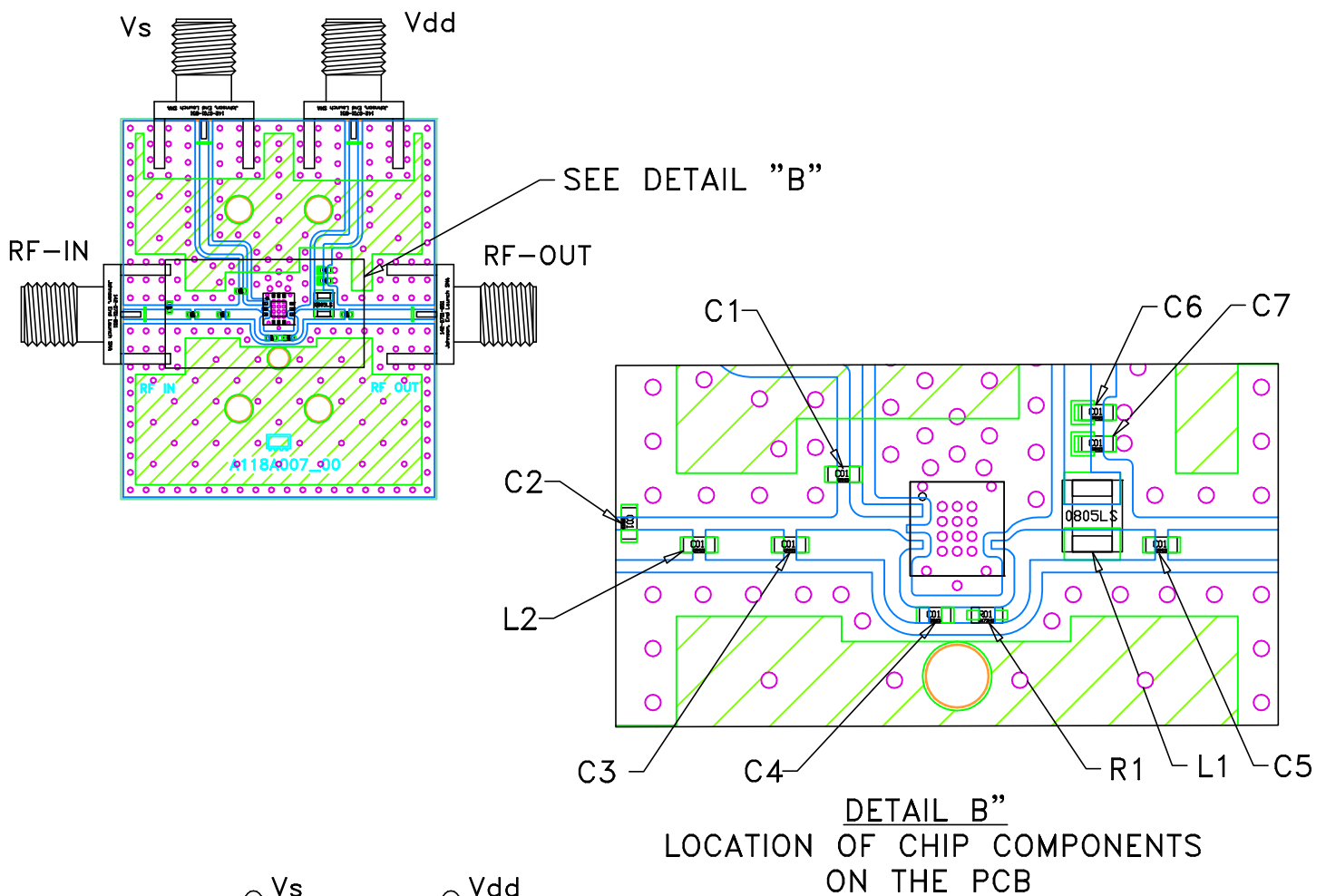


Evaluation Board and Circuit




Schematic Diagram

Component	Size	Value	Part Number	Manufacturer
C1	0402	0.1uF	GRM155R71C104KA88D	Murata
C2	0402	1.2pF	GRM1555C1H1R2CA1D	Murata
C3	0402	0.1uF	GRM155R71C104KA88D	Murata
C4	0402	0.1uF	GRM155R71C104KA88D	Murata
C5	0402	1000pF	GRM1555C1H102JA01D	Murata
C6	0402	10000pF	GRM155R71E103KA01D	Murata
C7	0402	0.1uF	GRM155R71C104KA88D	Murata
L1	0805	680nH	0805LS-681XJLB	Coilcraft
L2	0402	1.0nH	0402CS-1N0XJLW	Coilcraft
R1	0402	1.2KOhm	RK73H1ETTP1201F	Koa

NOTES:

1. 50 Ohm SMA Female Connectors.
2. PCB Material: Roger R04350B or equivalent, Dielectric constant=3.5, Thickness=0.02 inch

 **Mini-Circuits®**