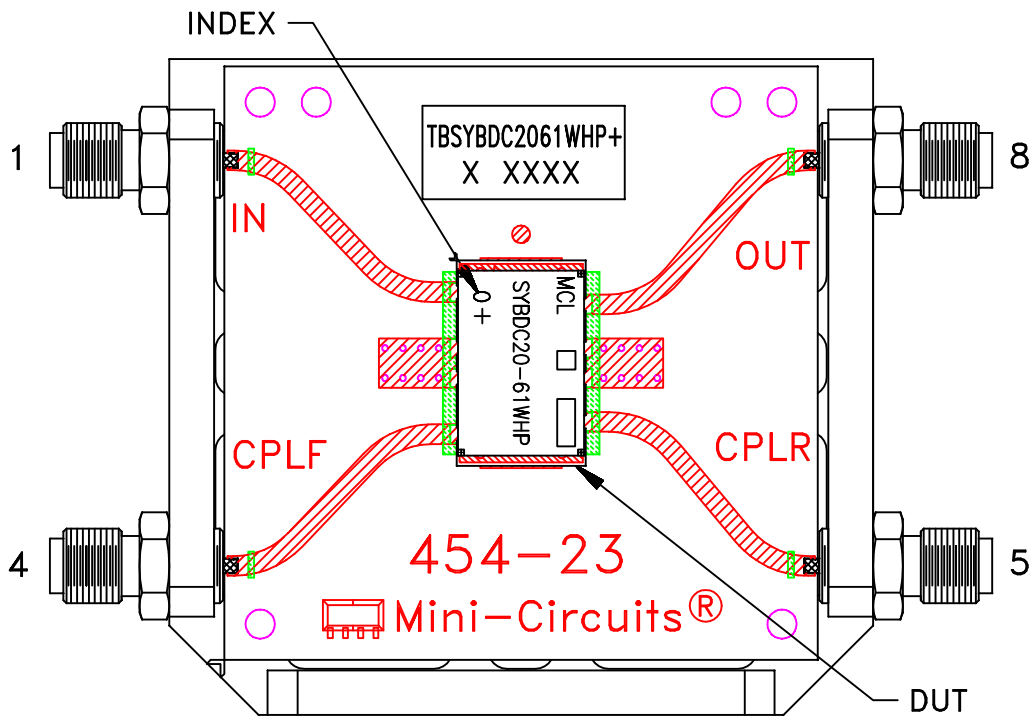
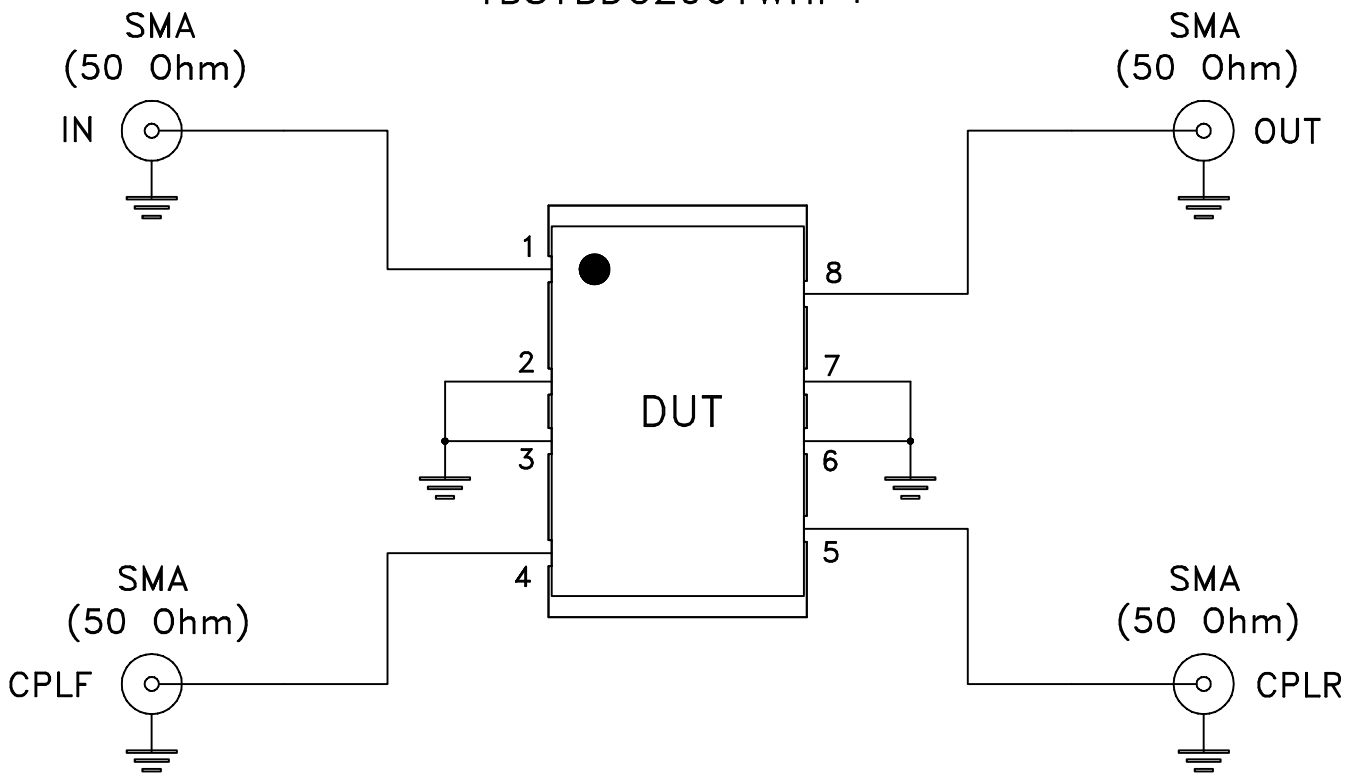


Evaluation Board and Circuit



TBSYBDC2061WHP+



Schematic Diagram

Notes:

1. 50 Ohm SMA Female connectors.
2. PCB Material: R04350 or equivalent.
Dielectric Constant=3.5, Thickness=.030 inch.

Mini-Circuits®