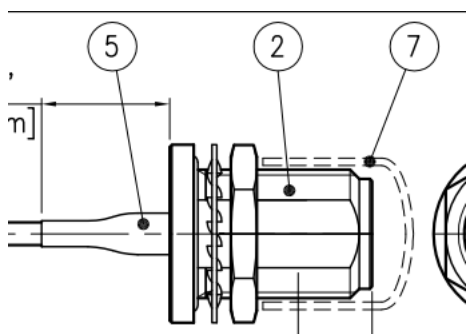


PRODUCT CHANGE NOTICE

PCN Form (D4-E000-73)

PCN#23-084**NOTIFICATION DATE: December 12, 2023****MODELS AFFECTED**Please see 2nd and 3rd pages for list of models**EXTENT OF CHANGE:**

Add 'boot' to cable end with the N-type connector (item 5 below)

**EFFECT OF CHANGE:**Change to device, FORM (Appearance) and FUNCTION (Performance) improved strain relief.
No Change to FIT (Dimension)**REASON FOR CHANGE:**

Provide enhanced support for heavy connector on thin cable assembly

EFFECTIVE DATE OF CHANGE:

Immediate, parts of either assembly can be shipped

ATTACHMENTS:2nd and 3rd pages with lists of affected models**QUESTIONS?****[PLEASE CONTACT US.](#)**

PRODUCT CHANGE NOTICE

PCN Form (D4-E000-73)

AFFECTED MODELS			
141-0.19MNM+	141-12SMRNM+	141-1MSMNM+	141-30NM-300W+
141-0.28MSMRNB+	141-132SMNM+	141-1MSMNM-1+	141-30SMNB+
141-0.33MSMRNB+	141-13SMNM+	141-2.4MSMNM+	141-30SMNM+
141-0.8MSMNM+	141-13SMRNB+	141-2.4MSMNM-1+	141-31SBNB+
141-1.2MSMNB+	141-144NM+	141-2.5MNM+	141-32SMNM+
141-1.2MSMNM+	141-144SMNM+	141-20NBNM+	141-34NM+
141-1.3MSMNM+	141-14BMNM+	141-20NM+	141-34NMR+
141-1.3MSMNM-1+	141-14NBNM+	141-20SBNM+	141-360NM+
141-1.5MNM+	141-14NM+	141-20SMNB+	141-36NM+
141-1.5MSMNM+	141-14SBNB+	141-20SMNM+	141-36SMNB+
141-1.75NMR+	141-14SBNM+	141-21SBNM+	141-36SMNM+
141-1.8MSMNM+	141-14SMNB+	141-21SMNM+	141-36SMRNM+
141-1.8MSMNM-1+	141-14SMNM+	141-22SBNM+	141-37SMNM+
141-10NBNM+	141-15NBNMR+	141-22SMNM+	141-38SMNM+
141-10NM+	141-15NM+	141-24NB+	141-39SMNB-1+
141-10NM-1+	141-15SBNM+	141-24NBNM+	141-3MNM+
141-10NM-2+	141-15SMRNB+	141-24NM+	141-3MSFNM+
141-10NMR+	141-16NBNM+	141-24NM-1+	141-3MSMNM+
141-10NMRNM+	141-16NMRNM+	141-24NM-300W+	141-3NM+
141-10SMNB+	141-16SBNM+	141-24SMNB+	141-3SMNB+
141-10SMNB-1+	141-16SMNB+	141-24SMNM+	141-3SMNM+
141-10SMNM+	141-16SMNM+	141-24SMNM-1+	141-40CMNM TFF+
141-10SMRNM+	141-16SMRNB+	141-24SMNMR+	141-40CMNM TM+
141-10SMRNM+	141-17SMNM+	141-24SMRNM+	141-40SMNM+
141-11NM+	141-17SMNM-1+	141-24SMRNM+	141-42SMNM+
141-11SMNB+	141-17SMNM-2+	141-256SMNM+	141-45CMNM+
141-11SMNM+	141-17SMNM-3+	141-25SMRNB+	141-47SMNB+
141-12NBNM+	141-18NM+	141-26NM+	141-47SMNB-1+
141-12NBNM-1+	141-18NM-300W+	141-26SMNM+	141-48NM+
141-12NM+	141-18NMR+	141-27NM+	141-48SMNB+
141-12NM-2+	141-18SMNB+	141-27NMR+	141-48SMNM+
141-12NM-300W+	141-18SMNM+	141-28SMNM+	141-4NBNM+
141-12NMR+	141-18SMNM-1+	141-29SMNM+	141-4NM+
141-12NMRNM+	141-18SMNM-2+	141-2MNM+	141-4NMR+
141-12NM TM-1+	141-18SMNM-3+	141-2MSFNM+	141-4NMRC+
141-12SBNM+	141-18SMNM-4+	141-2MSMNM+	141-4SMNB+
141-12SMNB+	141-18SMRNB+	141-2MSMRNM+	141-4SMNM+
141-12SMNM+	141-19SBNM+	141-2NM+	141-4SMNM-1+
141-12SMNM-1+	141-19SMNM+	141-3.5NM+	141-5.5NMR+
141-12SMRNB+	141-1MSFNM+	141-30NM+	141-50CMNM TM+

AS9100 ISO9001 ISO14001 Certified to QMS and EMS

PRODUCT CHANGE NOTICE

PCN Form (D4-E000-73)

AFFECTED MODELS			
141-50NBNM+	141-6NM-1+	141-7SMNB+	141-9SMNB+
141-50SBNM+	141-6NMRC+	141-7SMNM+	141-9SMNM+
141-50SMNM+	141-6SMNB+	141-7SMRNM+	141-9SMRNM+
141-5MSFNM+	141-6SMNB-1+	141-7SMRNMRC27+	141U-12SMNB+
141-5NBNM+	141-6SMNB-3+	141-7SMRNMRC90+	141U-12SMNM+
141-5NBNMR+	141-6SMNM+	141-80CMNM+	141U-2NM+
141-5NM+	141-6SMNM-1+	141-8NBNM+	141U-7NM+
141-5NMR+	141-6SMNM-2+	141-8NM+	
141-5NMR-1+	141-6SMNM-3+	141-8NMR+	
141-5SMNB+	141-6SMNM-4+	141-8NMRC+	
141-5SMNM+	141-6SMNMR+	141-8NMRNM+	
141-5SMNM-1+	141-6SMRNM+	141-8SBNM+	
141-60NM+	141-6SMRNM+	141-8SMNB+	
141-60NMTM+	141-72NM+	141-8SMNM+	
141-60SMNB+	141-72SMNB+	141-8SMNM-1+	
141-60SMNM+	141-72SMNM+	141-8SMRNM+	
141-62SMNM+	141-78SMNM+	141-96NM+	
141-6NB+	141-7NM+	141-9NBNM+	
141-6NBNM+	141-7NM-1+	141-9NM+	
141-6NM+	141-7NM-2+	141-9NMRNM+	