



TIGHT SPOT

SMA Wrench

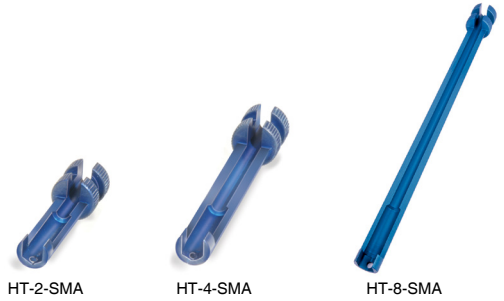
HT-SERIES

Mini-Circuits

SMA Connectors

THE BIG DEAL

- Ability to remove SMA connectors without removing the adjacent cables
- Small portable tool, fits in pocket
- Connect or disconnect SMA connectors in tight spaces
- Use in combination with torque wrench or just with fingers
- Protected by US Patent 9,027,446

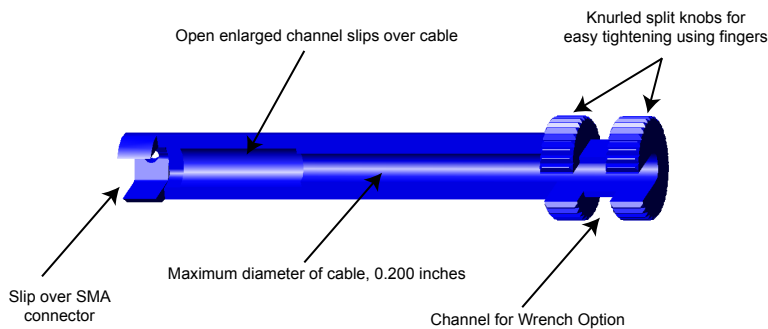


Generic photo used for illustration purposes only

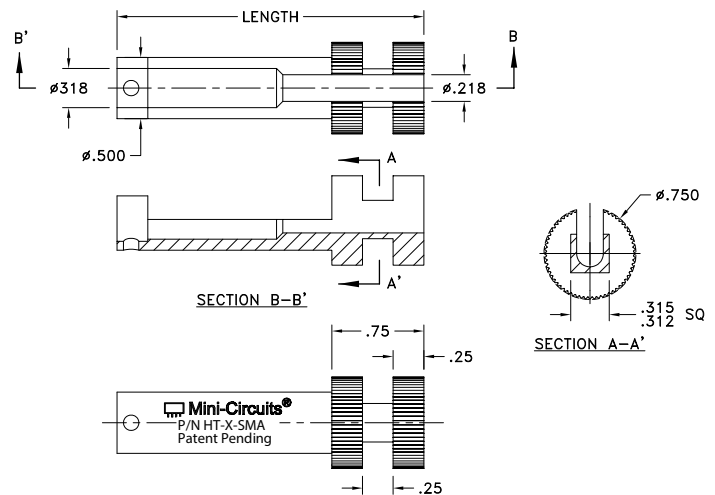
CASE STYLE: MY-1E

PRODUCT OVERVIEW

The HT-Series wrenches allow for convenient and easy connecting or disconnecting of SMA cable connectors in tight spaces, with either a wrench or simply finger grip. The use of HT-Series accommodates most SMA cable width diameters.



OUTLINE DRAWING



HOW TO USE THE WRENCH

1. The open box wrench head is slid onto the hex nut as shown in figure-1.
2. The knurled split knobs are rotated to tighten or un-tighten the SMA cable nut by use of fingers. Alternatively, an open end wrench or a torque wrench can be used as shown in figure-2.

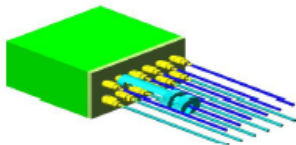


Figure-1

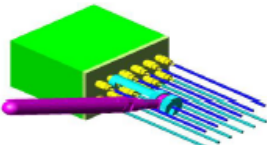
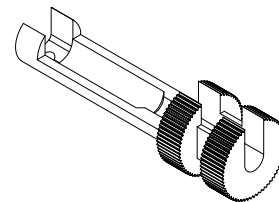


Figure-2



CASE #	LENGTH	WT GRAMS
MY-1E-004	2.50 (63.50)	13.2
MY-1E-005	4.00 (101.60)	18.5
MY-1E-008	8.00 (203.20)	34.0

NOTES

- A. Performance and quality attributes and conditions not expressly stated in this specification document are intended to be excluded and do not form a part of this specification document.
- B. Electrical specifications and performance data contained in this specification document are based on Mini-Circuit's applicable established test performance criteria and measurement instructions.
- C. The parts covered by this specification document are subject to Mini-Circuits standard limited warranty and terms and conditions (collectively, "Standard Terms"); Purchasers of this part are entitled to the rights and benefits contained therein. For a full statement of the standard. Terms and the exclusive rights and remedies thereunder, please visit Mini-Circuits' website at www.minicircuits.com/terms/viewterm.html

REV. E
ECO-13251
HT-SERIES
BT/CP/AM
240208

