

Supported Models
RC4DAT-6G-95
RC4DAT-6G-60
RC4DAT-6G-30

Product Overview

Mini-Circuits' RKT-RC4DAT is a ready-made kit for rack-mounting up to 8 x RC4DAT-6G series multi-channel programmable attenuators. The kit includes a 3U 19" rack-mountable panel and all the fittings needed for mounting and assembly.

Note: RC4DAT-6G series multi-channel attenuators not included.

For larger multi-channel attenuator assemblies the ZTDAT series provides an alternative option, from 8 to 48 attenuator channels in a compact rack-mountable chassis. [Click here](#) for more details.

Mechanical Specifications

Dimensions	19" (W) x 3U (H)	
Case Drawing	99-01-2876	
Case Material	• Aluminum (with protective coating to prevent corrosion)	
Panel Items	Front Panel	Rear Panel
Panel Marking	• Model name	• CE • EAC

Kit Components

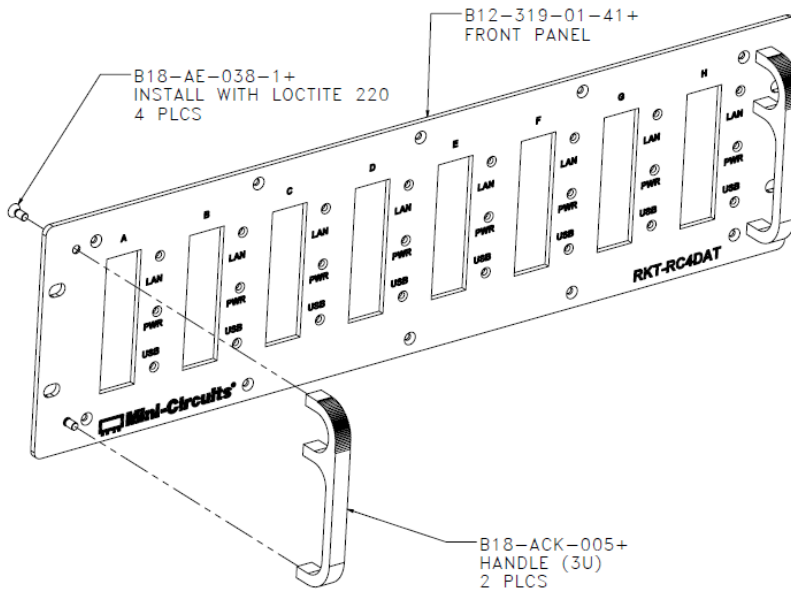
Part Number	Quantity	Description
B12-319-01-41+	1	FRONT PANEL 3U FOR RKT-RC4DAT
B13-319-11+	2	STIFFENING ANGLE FRONT PANEL
B13-319-34+	8	MOUNTING ANGLE RC4DAT RoHS
B18-AC-038+	24	SCREW FL HD #4-40 .375"LG RoHS
B18-ACK-005+	2	FRONT PANEL HANDLE
B18-AD-038+	10	SCREW FLAT HEAD #6-32 X 3/8 LG
B18-AE-038-1+	4	SCREW FL HD #8-32 3/8" LG RoHS
B18-DB-038+	16	SCREW PAN HD #2-56 3/8"LG RoHS
B18-HB-002+	16	WASHER FL#2 OD.187/ID.096 RoHS
B18-JB-001+	16	WASHER SPLIT LOCK #2 RoHS

Ordering Information

Please contact Mini-Circuits' Test Solutions department for price and availability:

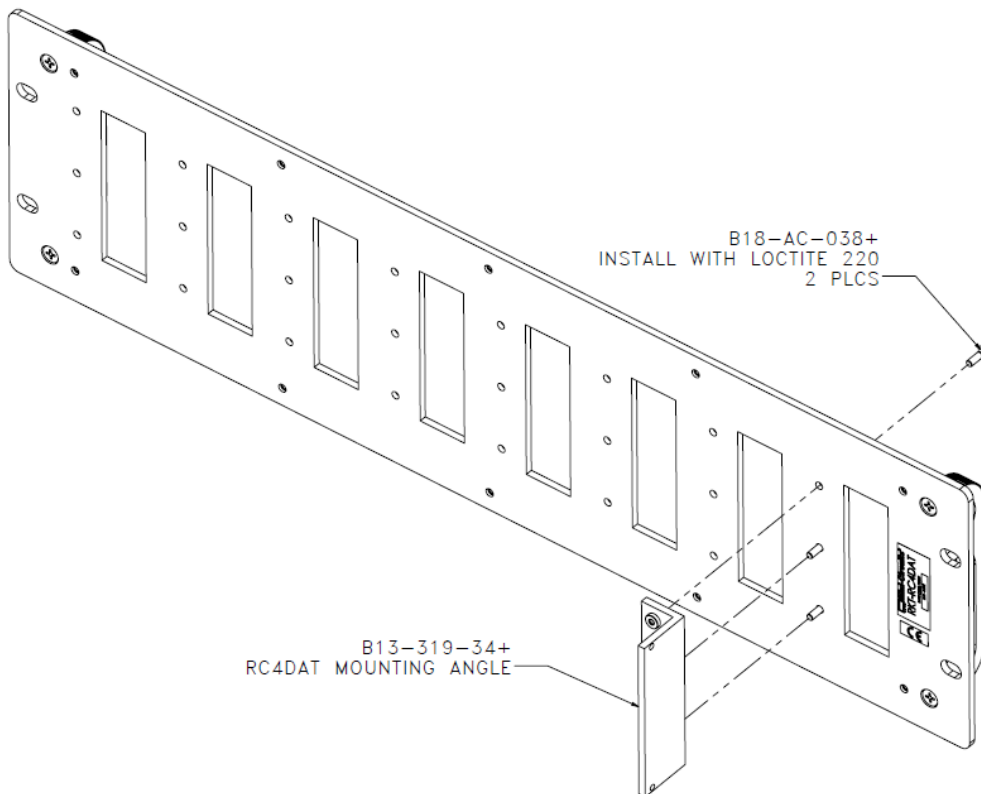
testsolutions@minicircuits.com

Assembly Guide



Step 1.

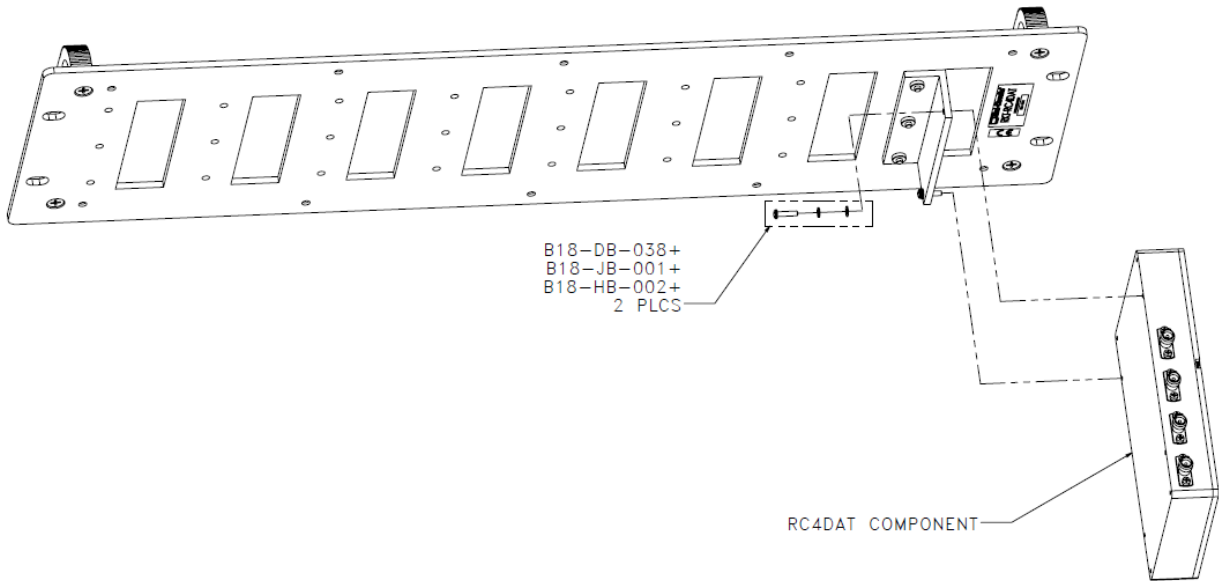
- Attach 2x B18-ACK-005 Handles (3U) to the B12-319-01-41+ Front Panel using 4x B18-AE-038-1+, as shown. Install with Loctite 220.



Step 2.

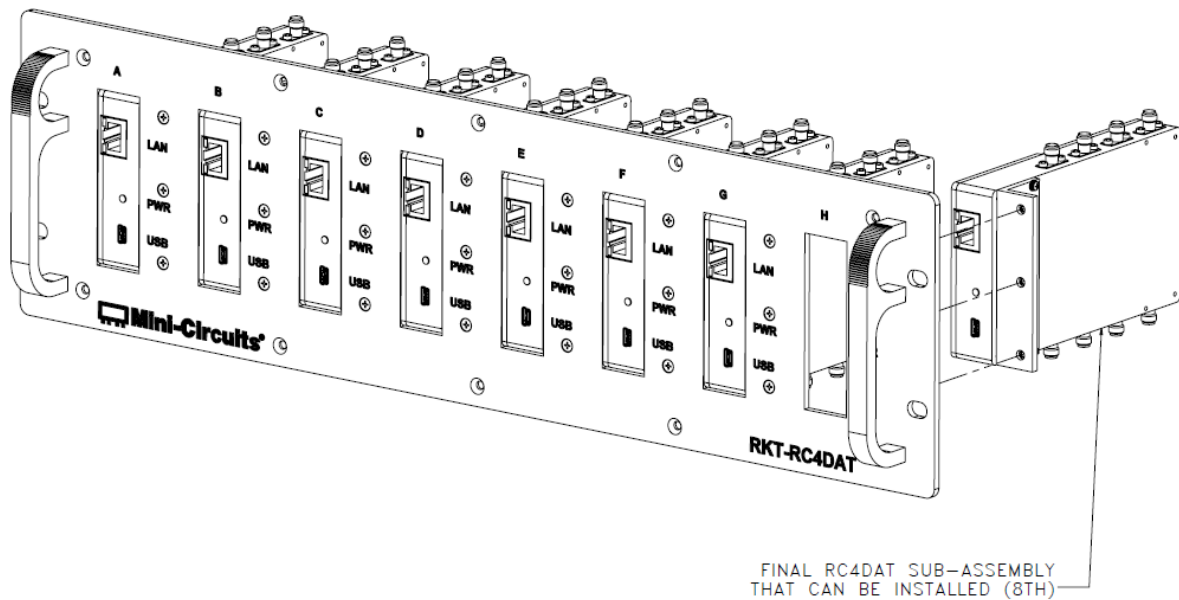
- Attach B13-319-34+ RC4DAT Mounting Angle to the Front Panel using 2x B18-AC-038+, as shown. Install with Loctite 220.

Assembly Guide



Step 3.

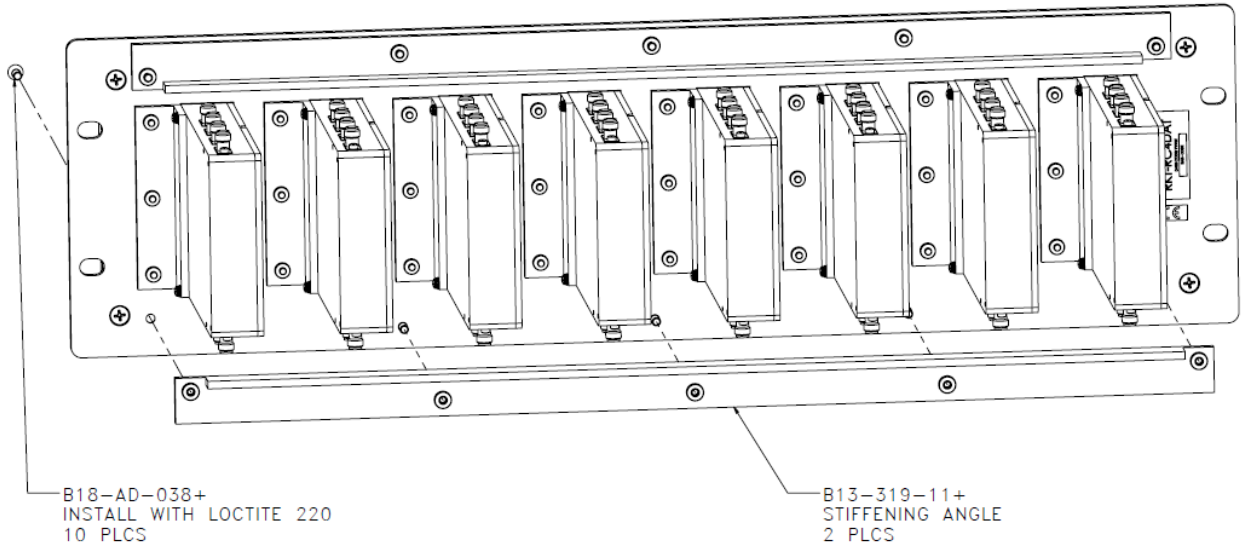
- Attach the RC4DAT Component to the Mounting Angle using x2 B18-DB-038+ Pan Head Screws, x2 B18-JB-001+ Split Lock Washers, and x2 B18-HB-002+ Flat Washers, as shown.



Step 4.

- Repeat Steps 2 and 3, in order to achieve the desired number of RC4DAT sub-assemblies. As shown above, a maximum number of x8 RC4DAT sub-assemblies may be installed on the RKT-RC4DAT.

Assembly Guide



Step 5.

- Attach the x2 B13-319-11+ Stiffening Angle to the Front Panel using x10 B18-AD-038+, as shown. Install with Loctite 220.

Outline Drawing (After Assembly)

