



COAXIAL

Termination

ROSE-50+

Mini-Circuits

50Ω DC to 6000 MHz SMB-Female

FEATURES

- SMB Connector with female center contact
- Wideband, DC to 6000 MHz
- Rugged Construction



Generic photo used for illustration purposes only

Model No.	ROSE-50+
Case Style	LL604
Connectors	SMB-Female

+RoHS Compliant

The +Suffix identifies RoHS Compliance. See our website for methodologies and qualifications

APPLICATIONS

- Cellular Communications
- Test Setup
- Instrumentation
- PCS

ELECTRICAL SPECIFICATIONS

Parameter	Frequency (MHz)	Min.	Typ.	Max.	Units
Frequency Range		DC		6000	MHz
Impedance			50		Ohms
Return Loss	DC - 2000	30	—	—	dB
	DC - 4000	23	—	—	
	DC - 6000	20	—	—	
Power Rating ¹	DC - 6000	—	—	0.50	W

1. At 70°C, derate linearly at 0.005W/°C to .35W at 100°C.

ABSOLUTE MAXIMUM RATINGS¹

Parameter	Ratings
Operating Temperature	-55°C to +100°C
Storage Temperature	-55°C to +100°C

1. Permanent damage may occur if any of these limits are exceeded.





COAXIAL

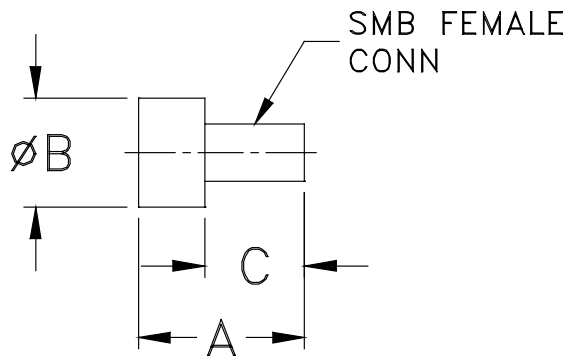
Termination

ROSE-50+

Mini-Circuits

50Ω DC to 6000 MHz SMB-Female

OUTLINE DRAWING



OUTLINE DIMENSIONS (Inch mm)

A	B	D	wt
0.55	0.36	0.33	grams
13.97	9.14	8.38	4.0



COAXIAL

Termination

ROSE-50+

Mini-Circuits

50Ω DC to 6000 MHz SMB-Female

TYPICAL PERFORMANCE DATA

Frequency (MHz)	Return Loss (dB)
10	37.6
100	37.4
200	37.4
500	37.4
1000	38.3
2000	39.7
3000	35.3
4000	33.2
5000	31.8
6000	26.8

