

2 Way-0° 50Ω 10 to 50 GHz

## The Big Deal

- Ultra-wideband, 10 to 50 GHz
- Low insertion loss, 1.0 dB Typ.
- High Isolation, 23 dB Typ.
- 10W power handling
- Low amplitude unbalance, 0.1 dB Typ.



CASE STYLE: UU2234-1

## Product Overview

Mini-Circuits' ZN2PD-V54+ is an ultra-wideband coaxial 2-way 0° splitter/combiner providing coverage from 10 to 50 GHz, supporting a wide range of applications including 5G, Ku-Band, K-Band, and Ka-Band SatCom, microwave point-to-point backhaul, instrumentation and many more. This model provides 10W power handling as a splitter and very low insertion loss across the entire operating frequency range, minimizing power dissipation and delivering excellent signal power transmission from input to output. The ZN2PD-V54+ comes housed in a rugged aluminum alloy case measuring 1.0 x 1.0 x 0.37" with 2.4mm connectors.

## Key Features

Feature	Advantages
Ultra-wideband, 10 to 50 GHz	Extremely wide frequency range supports many broadband applications in a single model.
Low insertion loss, 1.0 dB	The combination of 10W power handling and low insertion loss makes this model a suitable candidate for distributing signals while maintaining excellent transmission of signal power.
High isolation, 23 dB	Minimizes interference between ports.
High power handling, 10W	The ZN2PD-V54+ is suitable for systems with a wide range of power requirements.
Low amplitude unbalance, 1.0 dB	Produces nearly equal output signals, ideal for parallel path and multichannel systems.
DC Passing, 440 mA	Supports applications where DC power is needed through the RF line.

### Notes

- A. Performance and quality attributes and conditions not expressly stated in this specification document are intended to be excluded and do not form a part of this specification document.  
 B. Electrical specifications and performance data contained in this specification document are based on Mini-Circuit's applicable established test performance criteria and measurement instructions.  
 C. The parts covered by this specification document are subject to Mini-Circuits standard limited warranty and terms and conditions (collectively, "Standard Terms"); Purchasers of this part are entitled to the rights and benefits contained therein. For a full statement of the Standard Terms and the exclusive rights and remedies thereunder, please visit Mini-Circuits' website at [www.minicircuits.com/MCLStore/terms.jsp](http://www.minicircuits.com/MCLStore/terms.jsp)



# Power Splitter/Combiner

## ZN2PD-V54+

2 Way-0° 50Ω 10 to 50 GHz



Generic photo used for illustration purposes only

CASE STYLE: UU2234-1

Connectors	Model
2.4mm Female	ZN2PD-V54+

**+RoHS Compliant**

The +Suffix identifies RoHS Compliance. See our web site for RoHS Compliance methodologies and qualifications

### Maximum Ratings

Operating Temperature	-55°C to 100°C
Storage Temperature	-55°C to 100°C
Power Input (as a splitter)*	10W max.
Internal Dissipation	1 W max.
DC Current	440mA

Permanent damage may occur if any of these limits are exceeded.  
\*Assume output match of 2.0:1 or better. Derate linearly to 10% with arbitrary load.

### Coaxial Connections

SUM PORT	S
PORT 1	1
PORT 2	2

### Features

- Super wideband, 10 to 50 GHz
- Low insertion loss, 1.0 dB typ.
- Excellent isolation, 23 dB typ.

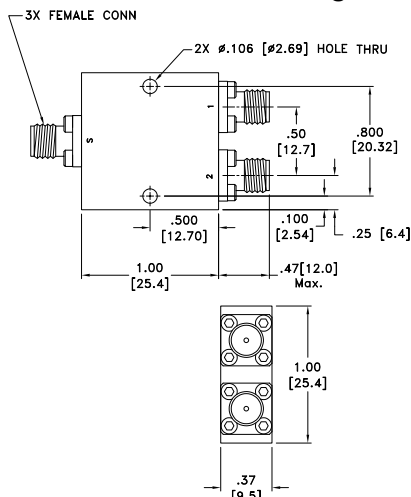
### Applications

- 5G
- Fixed satellite
- Mobile
- Space research

### Electrical Specifications at 25°C

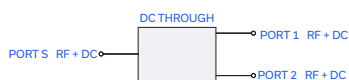
Parameter	Frequency (GHz)	Min.	Typ.	Max.	Unit
Frequency Range		10		50	GHz
Insertion Loss Above 3.0 dB	10 - 40	—	0.8	2	dB
	40 - 50	—	1.3	2.5	
Isolation	10 - 40	14.6	29	—	dB
	40 - 50	14.6	34	—	
Phase Unbalance	10 - 40	—	0.8	10	Degree
	40 - 50	—	1.4	10	
Amplitude Unbalance	10 - 40	—	0.03	1	dB
	40 - 50	—	0.03	1	
VSWR (Port S)	10 - 40	—	1.16	2	:1
	40 - 50	—	1.12	2	
VSWR (Port 1-2)	10 - 40	—	1.13	2	:1
	40 - 50	—	1.10	2	

### Outline Drawing



Weight: 3.5 grams MAX  
Dimensions are in inches [mm]. Tolerances: 2 Pl. ±.03[.76]; 3 Pl. ±.010[.25] Inches[mm]

### Electrical Schematic



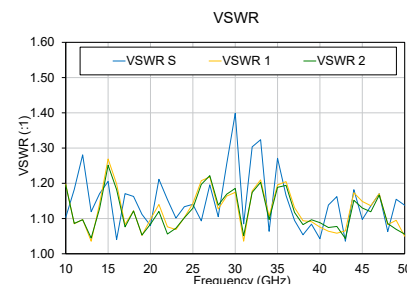
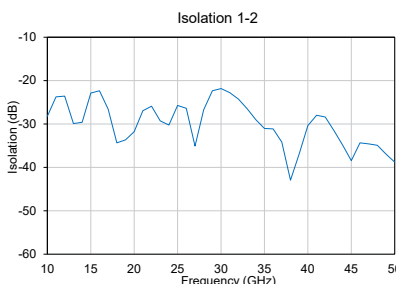
### Typical Performance Data

Frequency (MHz)	Total Loss <sup>1</sup> (dB)		Amplitude Unbalance (dB)	Isolation (dB)	Phase Unbalance (deg.)	VSWR S	VSWR 1	VSWR 2
	S-1	S-2						
10	3.41	3.44	0.03	28.21	0.30	1.10	1.20	1.20
12	3.54	3.57	0.03	23.56	0.35	1.28	1.10	1.10
14	3.53	3.55	0.03	29.61	0.43	1.17	1.14	1.13
16	3.60	3.62	0.02	22.34	0.48	1.04	1.20	1.18
18	3.65	3.67	0.03	34.35	0.53	1.16	1.12	1.12
20	3.67	3.69	0.02	31.75	0.58	1.08	1.10	1.08
25	3.79	3.81	0.03	25.72	0.78	1.14	1.14	1.13
30	3.99	4.01	0.03	21.83	0.87	1.40	1.17	1.19
35	4.06	4.06	0.03	31.02	1.12	1.27	1.20	1.19
40	4.14	4.14	0.03	30.37	1.22	1.04	1.08	1.09
45	4.33	4.33	0.04	38.45	1.35	1.10	1.15	1.13
50	4.42	4.41	0.04	38.79	1.46	1.14	1.05	1.06

1. Total Loss = Insertion Loss + 3dB splitter loss.



2. Insertion loss is loss above theoretical loss (-3dB)



### Notes

- Performance and quality attributes and conditions not expressly stated in this specification document are intended to be excluded and do not form a part of this specification document.
- Electrical specifications and performance data contained in this specification document are based on Mini-Circuit's applicable established test performance criteria and measurement instructions.
- The parts covered by this specification document are subject to Mini-Circuits standard limited warranty and terms and conditions (collectively, "Standard Terms"); Purchasers of this part are entitled to the rights and benefits contained therein. For a full statement of the Standard Terms and the exclusive rights and remedies thereunder, please visit Mini-Circuits' website at [www.minicircuits.com/MCLStore/terms.jsp](http://www.minicircuits.com/MCLStore/terms.jsp)

