

50Ω 2400-6000 MHz



## Product Overview

ZT-211 is an example of the custom telecoms test systems that can be developed with Mini-Circuits' expert support. This particular example provides a multi-use mesh network for WiFi device and base station testing, with the following key features:

- Multiple, simultaneous interconnect options between up to 8 devices or test sets
- Variable path loss, ideal for simulating distance and interference in a production test environment
- Full software API for automation in a wide range of programming environments
- USB and Ethernet control interface for local or remote control

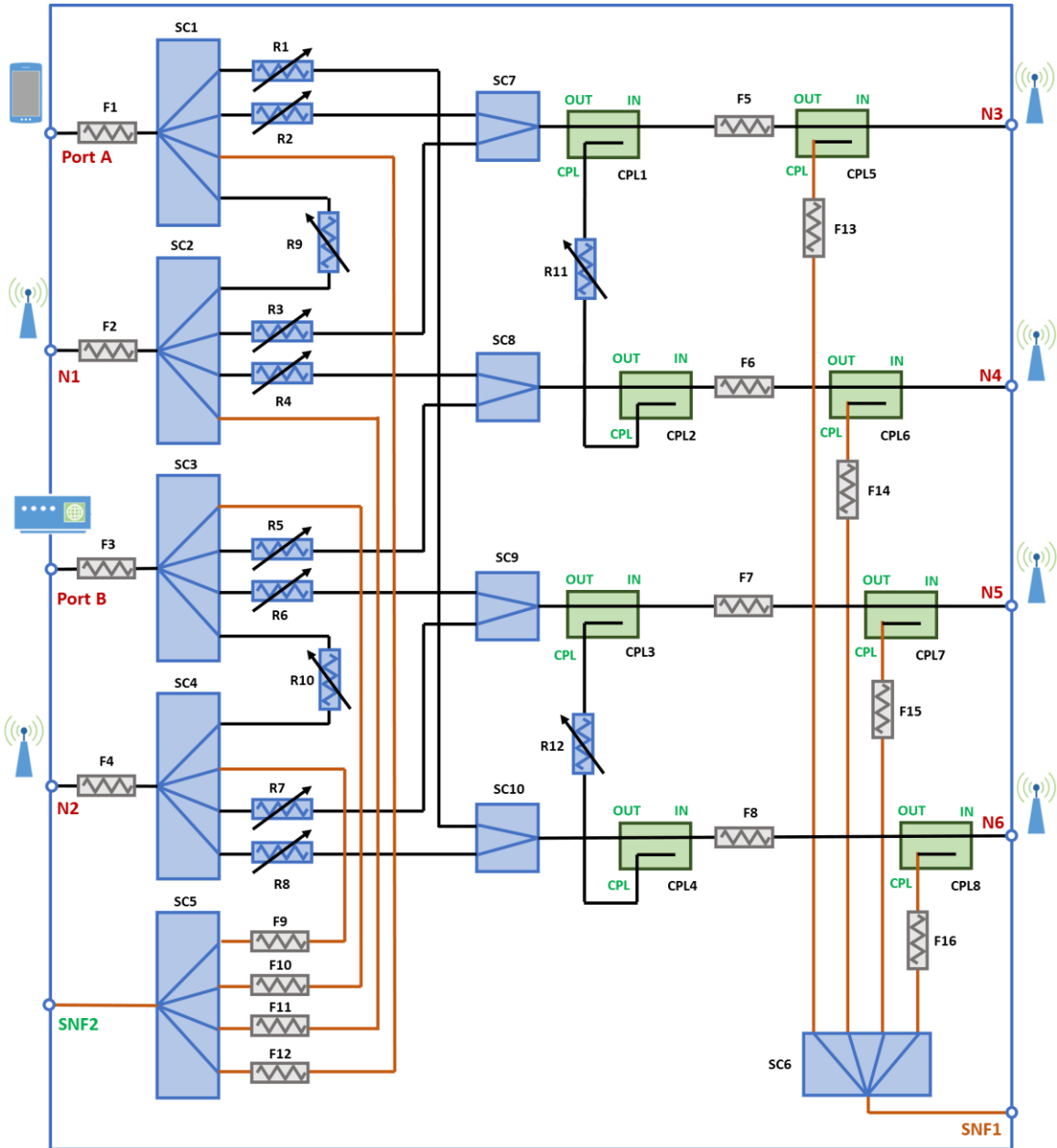
Variations of this system can be developed on request to cover alternative frequency bands or provide specific interconnection options between systems and devices under test. Mini-Circuits' Application Engineers can work with you from a simple outline spec or a full block diagram, to create your custom system.



Please contact [testsolutions@minicircuits.com](mailto:testsolutions@minicircuits.com) for support

50Ω 2400-6000 MHz

## Block Diagram



Please contact [testsolutions@minicircuits.com](mailto:testsolutions@minicircuits.com) for support