



COAXIAL

# Low Noise Amplifier

## ZVA-543LN+ ZVA-543LNx+

50Ω 20 to 54 GHz NF 3.5 dB 1.85mm Female

### THE BIG DEAL

- High Gain, 40 dB Typ. Over The Entire Operating Band
- Low Noise Figure, 3.5 dB Typ.
- High P<sub>SAT</sub>, +29 dBm Typ.
- Wide DC Operating Voltage, +10 To +15 V
- Over Voltage and Reverse Voltage Protected

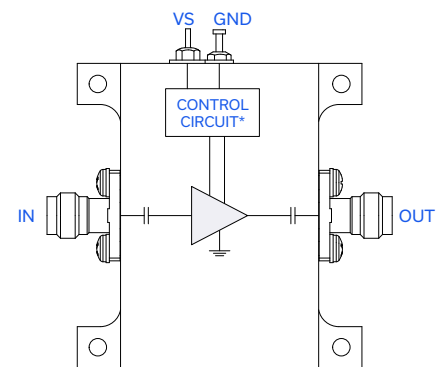


Generic photo used for illustration purposes only

### APPLICATIONS

- Wideband Test and Instrumentation
- SATCOM
- 5G FR2 Millimeter Wave Testing
- Aerospace and Defense

### FUNCTIONAL DIAGRAM



\*Voltage Regulation, over-voltage, reverse voltage, and in-rush current protection circuit

### PRODUCT OVERVIEW

Mini-Circuits' ZVA-543LN(X)+ is a wideband low noise, high power amplifier, operating from 20 to 54 GHz. This model operates over a single positive supply range of +10 to +15 V, allowing users to choose their desired operating voltage. Internal DC-DC conversion circuitry maintains constant efficiency over the full input voltage range. The amplifier incorporates several DC-protection features such as over-voltage, reverse-voltage, and in-rush current that protects the amplifier from damage if mishandled during operation.

### KEY FEATURES

Feature	Advantages
High Frequency Amplifier, 20 to 54 GHz	A single versatile, broadband amplifier covers multiple 5G FR2 mmW bands up to 54 GHz, minimizing setup time and cost.
High Gain, 40 dB Typ. Low Noise Figure, 3.5 dB Typ High Output Power, +29 dBm Typ.	The combination of nearly 1 W typical saturated output power, high gain and low noise figure makes this amplifier an ideal choice as both a transmit and receive amplifier for Over-the-Air testing in all 5G FR2 bands. Additionally, the ZVA-543LN(X)+ is well suited as a driver in test bench applications, semiconductor chipset testing, as an LO driver for mixers and more..
Single Supply Voltage, +10 to +15 V	Internal regulation enables the amplifier to operate over a wide DC voltage range, simplifying implementation.
DC Protection <ul style="list-style-type: none"> <li>• Over-voltage</li> <li>• Reverse voltage</li> <li>• In-rush current</li> </ul>	The internal DC circuitry allows the amplifier to be protected from external mishandling or unexpected spikes in voltage that could lead to catastrophic failures in the field.





COAXIAL

# Low Noise Amplifier

## ZVA-543LN+ ZVA-543LNX+



50Ω 20 to 54 GHz NF 3.5 dB 1.85mm Female

### ELECTRICAL SPECIFICATIONS AT +25 °C BASEPLATE

Parameter	Condition (GHz)	Min.	Typ.	Max.	Units
Frequency Range	-	20	-	54	GHz
Gain	20 - 35	37.0	42.0	-	dB
	35 - 54	33.5	39.0	-	
Output Power at 1dB Compression (P1dB)	20 - 35	+27.0	+30.0	-	dBm
	35 - 54	+24.0	+27.0	-	
Saturated Output Power (P <sub>SAT</sub> ) <sup>1</sup>	20 - 35	+28.0	+31.0	-	dBm
	35 - 54	+26.0	+29.0	-	
Output IP3	20 - 54	-	+36.0	-	dBm
Input Return Loss	20 - 54	-	15.0	-	dB
Output Return Loss	20 - 54	-	15.0	-	dB
Noise Figure	20 - 35	-	3.5	-	dB
	35 - 54	-	4.5	-	
DC Supply Voltage (V <sub>S</sub> )		+10	-	+15	V
DC Current at V <sub>S</sub> = +10V (Without/With Heatsink)		-	1500/1650	2500/2650 <sup>2</sup>	mA

1. At P<sub>SAT</sub>, P<sub>OUT</sub> changes less than 0.1 dB for a 1 dB change in P<sub>IN</sub>

2. Typical current measured under small signal conditions. Max DC current measured at P<sub>SAT</sub>. DC current increases as amplifier is driven into compression.





COAXIAL

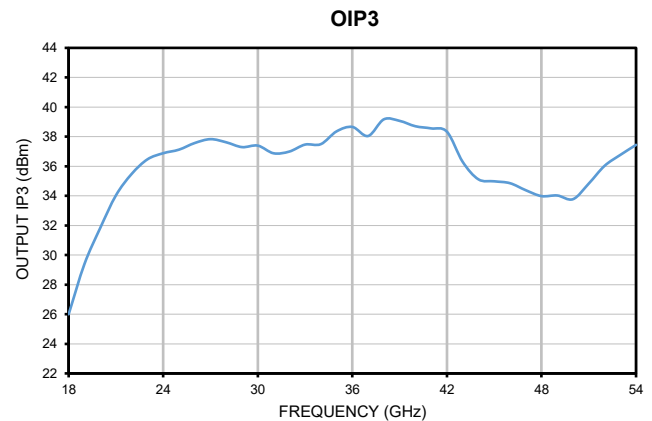
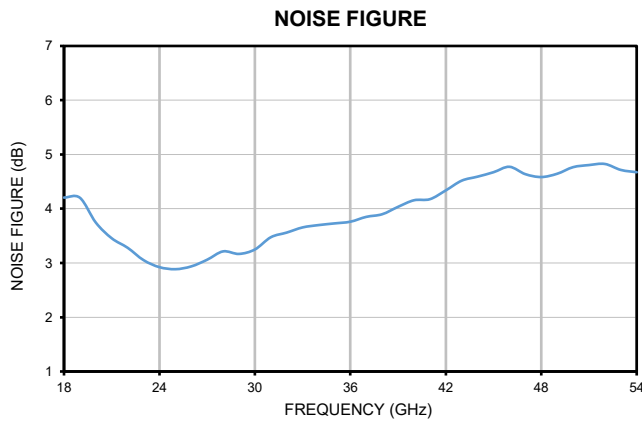
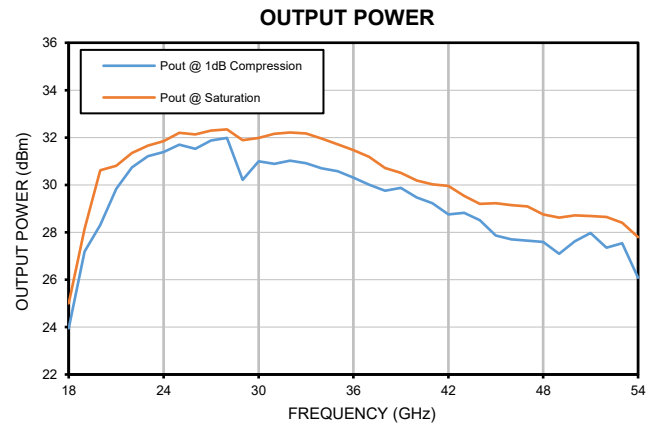
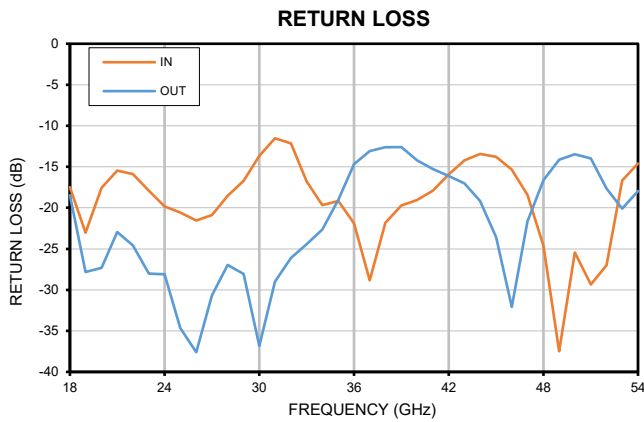
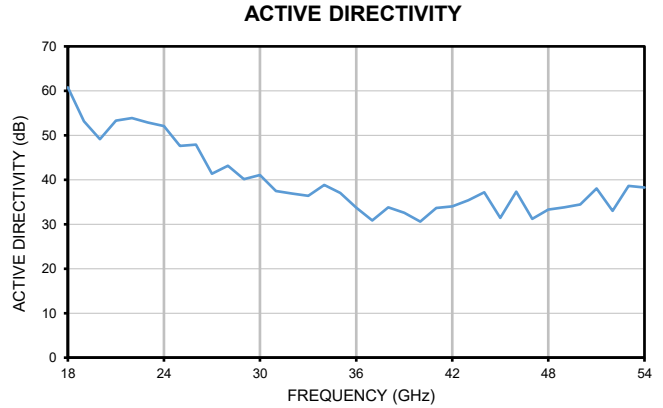
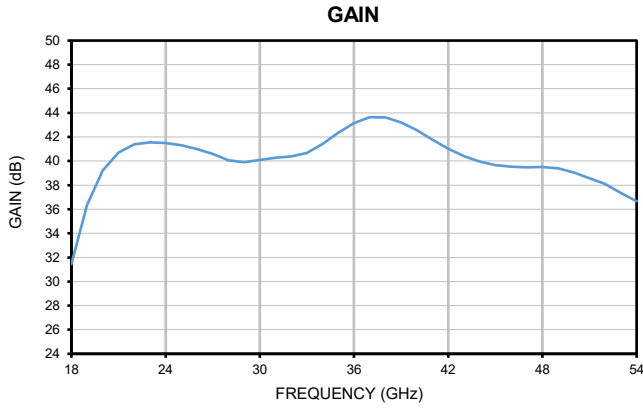
# Low Noise Amplifier

## ZVA-543LN+ ZVA-543LNX+

Mini-Circuits

50Ω 20 to 54 GHz NF 3.5 dB 1.85mm Female

### TYPICAL PERFORMANCE GRAPHS





COAXIAL

# Low Noise Amplifier

## ZVA-543LN+ ZVA-543LNX+



50Ω 20 to 54 GHz NF 3.5 dB 1.85mm Female

### ABSOLUTE MAXIMUM RATINGS<sup>3</sup>

Parameter	Ratings
Operating Temperature	ZVA-543LN+ -40 °C to +50°C Ambient
	ZVA-543LNX+ -40 °C to +60°C Baseplate
Storage Temperature	-40 °C to +85°C
Total Power Dissipation	24.5 W
RF Input Power <sup>4</sup> (CW)	+5 dBm
DC Operating Voltage	+16 V

3. Continuous operation is not recommended at these extremes. Permanent damage may occur if any of these limits are exceeded.

4. Specified under matched load to 50 ohms.

### DETERMINING MAXIMUM THERMAL RESISTANCE OF USERS' EXTERNAL HEAT SINK

$\text{MAXIMUM THERMAL RESISTANCE}$	$= \frac{\text{MAXIMUM OPERATING CASE TEMP} - \text{MAXIMUM USER AMBIENT TEMP}}{\text{POWER DISSIPATION}}$
<b>Example:</b>	<p>MAXIMUM OPERATING CASE TEMP = 60 °C (CHECK MAXIMUM RATINGS TABLE FOR THIS VALUE)</p> <p>MAXIMUM USER AMBIENT TEMP = 30 °C (USER DEFINED)</p> <p>POWER DISSIPATION = 24.5 WATTS (CHECK MAXIMUM RATINGS TABLE FOR THIS VALUE)</p> <p>THEN MAXIMUM ALLOWABLE THERMAL RESISTANCE = 1.2 °C/W</p>





COAXIAL

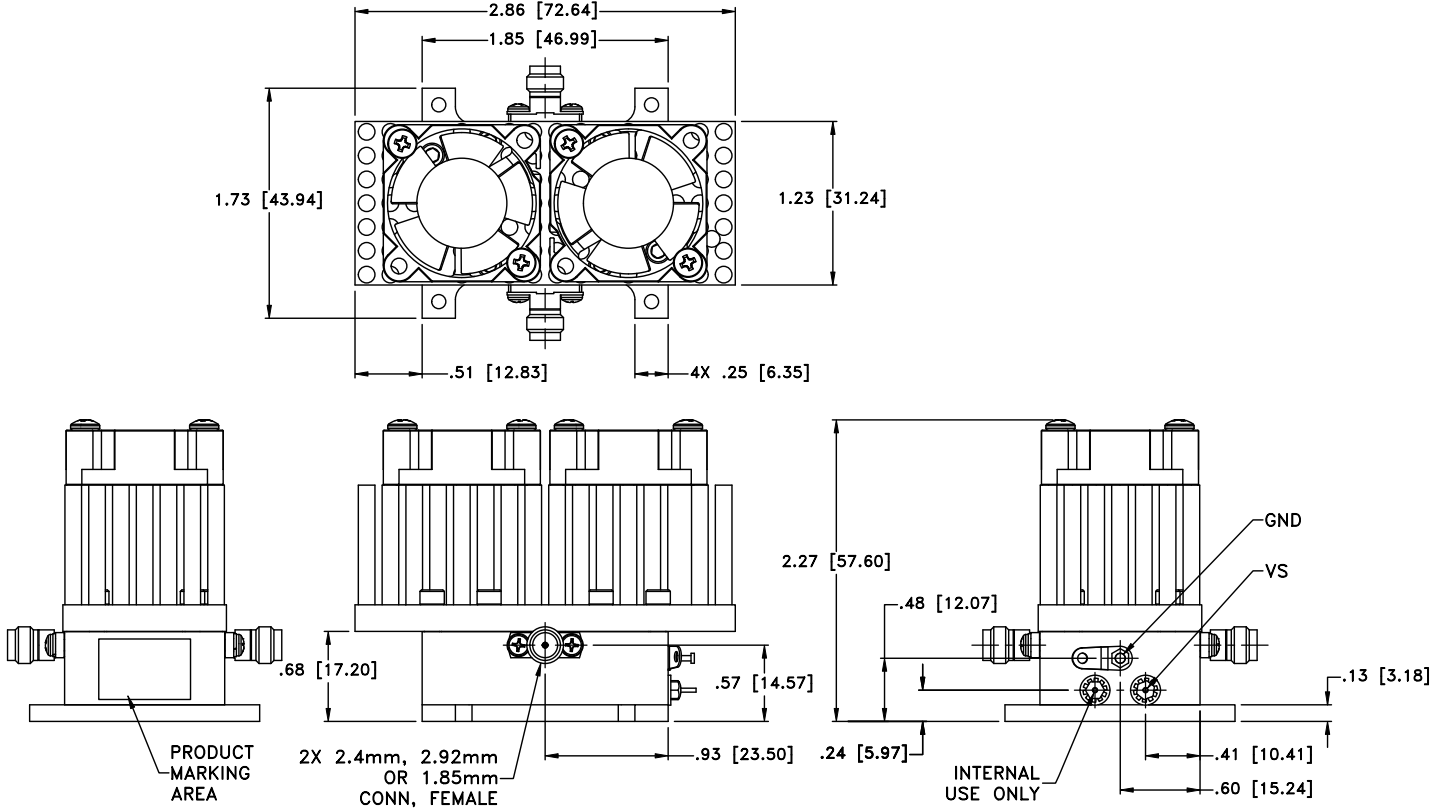
# Low Noise Amplifier

## ZVA-543LN+ ZVA-543LNx+

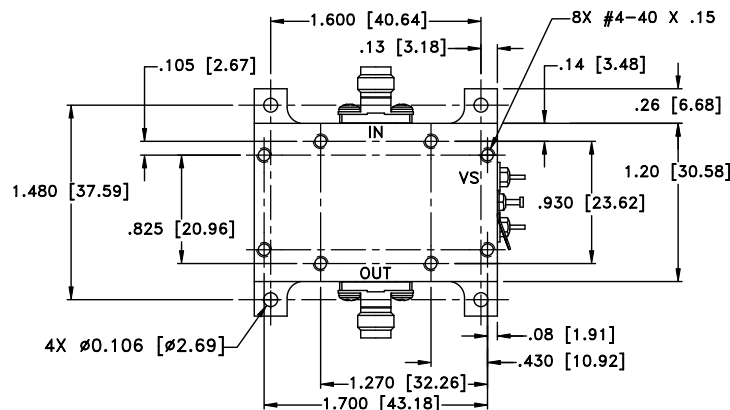
Mini-Circuits

50Ω 20 to 54 GHz NF 3.5 dB 1.85mm Female

### OUTLINE DRAWING FOR MODELS WITH HEATSINK (ZVA-543LN+)



### MOUNTING INFORMATION FOR MODELS WITHOUT HEATSINK (ZVA-543LNx+)



Weight: 160 grams; Without Heatsink: 60 grams  
Dimensions are in inches [mm]. Tolerances: 2 Pl.±.03; 3Pl.±.015

Mini-Circuits



COAXIAL

# Low Noise Amplifier

## ZVA-543LN+ ZVA-543LNX+

50Ω 20 to 54 GHz NF 3.5 dB 1.85mm Female

### ADDITIONAL INFORMATION IS AVAILABLE ON OUR DASHBOARD.

Performance Data	Data Table
	Swept Graphs
	S-Parameter (S2P Files) Data Set (.zip file)
RoHs Status	Compliant
Environmental Ratings	ENV130
Export Information	ECCN #3A001.B.4 This item will require an export license when shipped to certain countries.

### ORDERING INFORMATION

Model No. Links	<a href="#">ZVA-543LN+</a>	<a href="#">ZVA-543LNX+</a>
Option	With heatsink	Without heatsink
Product Marking	ZVA-543LN+	ZVA-543LNX+
Case Style	VN3071-4	
Connector	1.85 mm (Female)	

- NOTES**
- A. Performance and quality attributes and conditions not expressly stated in this specification document are intended to be excluded and do not form a part of this specification document.
  - B. Electrical specifications and performance data contained in this specification document are based on Mini-Circuit's applicable established test performance criteria and measurement instructions.
  - C. The parts covered by this specification document are subject to Mini-Circuits standard limited warranty and terms and conditions (collectively, "Standard Terms"); Purchasers of this part are entitled to the rights and benefits contained therein. For a full statement of the standard. Terms and the exclusive rights and remedies thereunder, please visit Mini-Circuits' website at [www.minicircuits.com/MCLStore/terms.jsp](http://www.minicircuits.com/MCLStore/terms.jsp)

